

华丰动力股份有限公司

地址：山东省潍坊市安丘经济开发区沂汶路78号
邮编：262100
电话：(0536) 8192707
传真：(0536) 8192711
网址：http://www.powerhf.com
E-mail:admin@powerhf.com

POWER HF CO.,LTD

Add: No. 78, Wenhui Road, Anqiu Economic Development
Zone, Weifang City, Shandong Province, P. R. C
Postal Code: 262100
Telephone: +86-0536-8192707
Fax: +86-0536-8192711
Website: www.powerhf.com
E-mail: admin@powerhf.com



R系列工程机械用柴油机零件图册

R-series parts catalogue for construction machinery application



华丰动力股份有限公司
POWER HF CO.,LTD

R 系列柴油机零件图册

前 言

R 系列柴油机为四冲程、水冷、直列、直喷 ω 燃烧室高速柴油机，是英国里卡多 (RICARDO) 公司为我国设计并与我公司联合研制的国内同类型柴油机的换代产品，具有良好的动力性、经济型、起动性能，可靠性好，寿命达到世界同类产品先进水平。

该系列柴油机有缸径为 105mm 的三、四、六缸和缸径为 108mm、110mm 的四、六缸自然吸气和增压十种通用机型，在此基础上根据使用要求对部分零件作相应变动后形成变型产品，可广泛用于拖拉机、联合收割机、汽车、工程机械、发电机组、农业、水利机械、渔船等。

为便于用户对柴油机的使用、维修，我们编写了这本包括多种机型的综合零件图册，编制原则如下：

1. 同一功能形状不同的零件尽量并列在一起，通用型零件用实线引线表示装配关系，变型零件用虚引线表示。零件之间的相互方位基本与实际情况一致。
2. 同一功能形状相近且安装在同一零件上的零件，只画一件，其余零件不画出，其标号带括号。
3. 外购的部分其型号标在表中相应部件代号的下方，并带括号。
4. 不同机型的同样零件只画一个。
5. 管路可以只画两端，中间断开，如不能用中心线相连，则要同时在二端标出同一标号。被管路连接的零件如系另一总成，用细实线画出被连结零件的局部图形，特殊情况可以用文字注明连接何零件。
6. 在柴油机型号栏中，空白格为基本型，“Z”“T”“C”“D”等为结构特性符号或用途特征符号，如，R4105ZT，代表 R 系列 4 缸，缸径 105mm，涡轮增压拖拉机用柴油机。

因产品在不断改进和开发，在本图册中印出之后的零件变动不可能及时反映，敬请用户注意。

本图册由付游、郑岩、付曙光、孙长义、徐传江、周茂森、童顺波、邵明鹏、胡来滨、王国辉、孙旭旭编写，窦玉香审核，鲍志超审定。

由于编写者水平所限，缺点错误在所难免，恳请读者指正。

编 者
二零一三年八月

R Series Diesel Engine Parts Catalogue For Take Off Unit

PREFACER

R series diesel engine is a family of high speed engine of four-stroke, water-cooled, in-line direct injection and ω type chamber. It is a new generation product that designed by RICARDO and developed by RICARDO and Weifang Diesel Engine Limited Company, with good dynamic characteristics, fuel economy as well as excellent starting performance, the reliability and service life of the R series engines have reached the advanced world level among the products of the kind. R series includes 3, 4 and 6-cylinder with bore of 105mm, 4 and 6-cylinder with bore of 108mm and 110mm, general purpose diesel engines with natural aspiration and turbocharging type. According to the requirements, various versions of R series can be developed by modifying, some parts so as to be used for different applications, such as tractors, trucks, combine-harvesters, construction machineries, generator sets and water conservancy facilities, fishing boats and so on.

For the convenience of operation and maintenance of the diesel engines, we compile this comprehensive parts catalogue which includes many kinds of model. The compiling principle is as follow:

1. The parts with same functions but different shape will be listed together, The continuous line indicates the assembling relations of the common parts while dash line indicates the variant parts. The relative position of the parts is basically in concordance with the actual situation.
2. For the parts fitted in same subassembly, with same functions and similar in shape, only one piece is shown, while the others are listed in the brackets.
3. The types of components outsourced are indicated under the corresponding parts codes in brackets in the table.
4. Only one of the same parts of various engine types is described.
5. Two ends of pipe may be drawn only instead of whole pipe with interruption in middle. If the two ends cannot be connected by centre line, the same marks should be made in two ends. If the part connected by a pipe belongs to other assembly, the partial drawing of the connected part is described with fine continuous line. In special case, the connected parts can be marked by words.
6. In model column of this parts catalog, blank space indicates the primary model, and "Z", "T", "G", "D" etc. stand for the structure and application of engines. For instance, "R410SZT", means R series, 4-cylinder, bore 105mm, turbocharged diesel engine, which is used for tractors.

Because of the continuous improvement and development of the products, the parts change after this catalogue releasing could not be reflected timely, so the users are requested to pay attention to this.

This parts catalogue is compiled by You Fu, Yan Zheng, Shuguang Fu, Changyi Sun, Chuanjiang Xu, Maosen Zhou, Shunbo Tong, Mingpeng Shao, Laibin Hu, Guohui Wang, Xuxu Sun, examined and verified by Yuxiang Dou, and approved by Zhichao Bao.

Editors
August, 2013

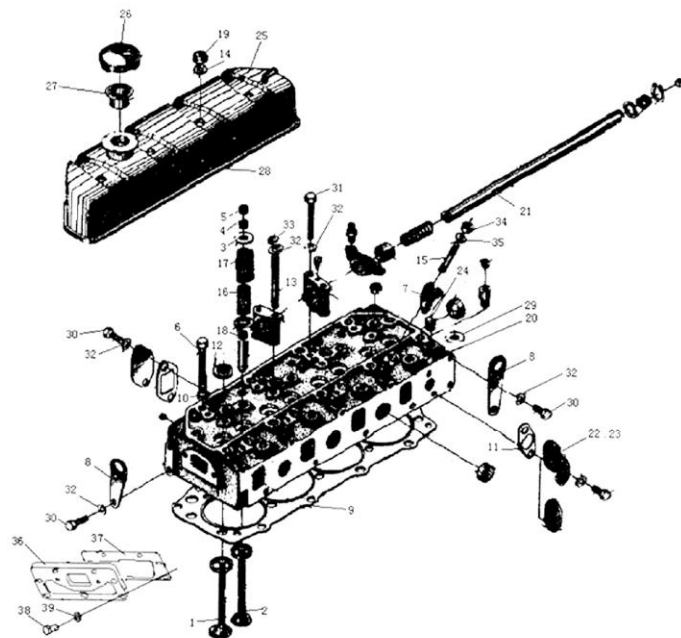
目 录

CONTENTS

1. 气缸盖及罩总成	
CYLINDER HEAD & COVER ASSEMBLY·····	1
2. 机体总成	
CYLINDER BLOCK ASSEMBLY·····	5
3. 凸轮轴总成	
CAMSHAFT ASSEMBLY·····	9
4. 曲轴飞轮总成	
CRANKSHAFT&FLYWHEEL ASSEMBLY·····	11
5. 活塞连杆总成	
PISTON & CONNECTING ROD ASSEMBLY·····	14
6. 齿轮系总成	
GEAR SYSTEM ASSEMBLY·····	16
7. 油底壳总成	
OIL SUMP ASSEMBLY·····	20
8. 正时齿轮室总成	
TIMING GEAR CASE ASSEMBLY·····	23
9. 后油封壳体总成	
REAR OIL SEAL HOUSING ASSEMBLY·····	26

10. 曲轴箱通风装置总成	
CRANKCASE VENTILATION ASSEMBLY·····	28
11. 空滤器总成	
AIR CLEANER ASSEMBLY·····	31
12. 进气管总成	
AIR INLET MANIFOLD ASSEMBLY·····	34
13. 排气系统总成	
EXHAUST SYSTEM ASSEMBLY·····	37
14. 燃油系统总成	
FUEL SYSTEM ASSEMBLY·····	40
15. 润滑系统总成	
LUBRICATING SYSTEM ASSEMBLY·····	45
16. 冷却系统总成	
COOLING SYSTEM ASSEMBLY·····	49
17. 电器系统总成	
ELECTRICAL SYSTEM ASSEMBLY·····	53
18. 空气压缩机总成	
AIR COMPRESSOR ASSEMBLY·····	57
19. 增压器总成	
TURBOCHARGER ASSEMBLY·····	59
20. 支架底座总成	
BRACKET AND SUPPORT SEAT ASSEMBLY·····	63

气缸盖及罩总成
CYLINDER HEAD & COVER ASSEMBLY



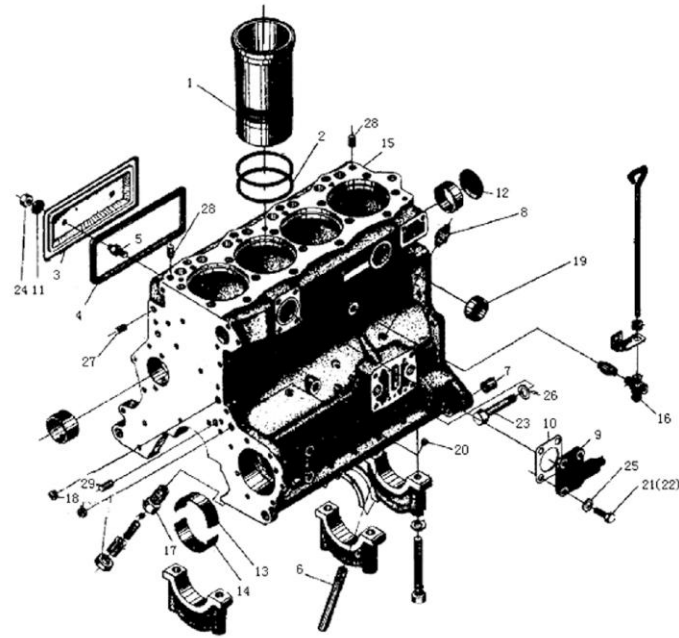
1. 气缸盖及罩总成
CYLINDER HEAD & COVER ASSEMBLY

柴油机型号 Model				4RMZG8	4RMG25-1	4RNSG3	4RNG3	4RMAZG	6RMG20
供货号 Delivery No.						QZ2	XG1	QZ2	LZ2
1	R010001Y-1	进气门	Inlet valve	4	4			4	6
	R3010001Y	进气门	Inlet valve				4		
	R5010001	进气门	Inlet valve			4			
2	R010002-1	排气门	Exhaust valve	4	4			4	6
	R3010002Y	排气门	Exhaust valve				4		
	R5010002	排气门	Exhaust valve			4			
3	R010004-1	气门弹簧上座	Valve spring upper retainer	8	8	8	8	8	12
4	R010005	气门锁夹	Valve lock	8	8	8	8	8	12
5	R010006	气门杆护帽	Valve stem cap	8	8	8	8	8	12
6	R010007	气缸盖螺栓	Cylinder head bolt	18	18	18	18	18	26
7	R010008	喷油器压板	Cylinder plate,injector	4	4	4	4	4	6
8	R010009-1	吊耳	Lifting ring	2	2	1	2	2	2
	3R010009	吊耳	Lifting ring			1			
9	4R010011-2	气缸盖垫片	Cylinder head gasket	1	1			1	
	6R010011-2	气缸盖垫片	Cylinder head gasket						1
	4R5010011-2	气缸盖垫片	Cylinder head gasket			1			
	4R5010011-2A	气缸盖垫片	Cylinder head gasket				1		
10	R010012	气缸盖螺栓垫圈	Washer, cylinder head bolt	18	18	18	18	18	26

柴 油 机 型 号 Model				4RMZG8	4RMG25-1	4RNSG3	4RNG3	4RMAZG	6RMG20
供货号 Delivery No.						QZ2	XG1	QZ2	LZ2
11	R010013	回水接头垫片	Gasket, water return pipe joint	1	1	1	1	1	1
12	R010015-1	进气门弹簧垫块	Bed plate,inlet valve spring	8	8	8	8	8	12
13	R010016	摇臂座螺柱	Stud,rocher arm seat	4	4	4	4	4	6
14	R010017	密封垫圈	Seal washer	4	4	4	4	4	6
15	R010018	喷油器压板螺柱	Clamping plate stud,injector	4	4	4	4	4	6
16	R010022	进排气门内弹簧	Inner spring,inlet & exhaust valve	8	8	8	8	8	12
17	R010023	进排气门外弹簧	Outer spring,inlet & exhaust valve	8	8	8	8	8	12
18	R010024	气门油封	Valve oil seal	8	8	8	8	8	12
19	R010025-A	盖形螺母	Acorn nut	4	4	4	4	4	6
20	4R010100Y	气缸盖机械加工部件	Cylinder head subassembly	1	1			1	
	4R3010100Y	气缸盖机械加工部件	Cylinder head subassembly				1		
	4R5010100-2-D	气缸盖机械加工部件	Cylinder head subassembly			1			
	6RQ010100Y	气缸盖机械加工部件	Cylinder head subassembly						1
21	4R010200	摇臂轴部件	Rocker arm shaft subassembly	1	1	1	1	1	
	6R010200	摇臂轴部件	Rocker arm shaft subassembly						2
22	R010400-2	回水接头焊接部件	Welding part,water return pipe joint	1		1	1		1
23	R010400-3	回水接头	Water return pipe joint		1			1	

柴油机型号 Model				4RMZG8	4RMG25-1	4RNSG3	4RNG3	4RMAZG	6RMG20
供货号 Delivery No.						QZ2	XG1	QZ2	LZ2
24	R010109	锥形螺塞	Conic plug	1	1	1	1	1	1
25	4R110100-1	气缸盖罩部件	Cylinder head cover subassembly				1		
	4RZT110100	气缸盖罩部件	Cylinder head cover subassembly	1	1				
	4RZT110100-LQ	气缸盖罩部件	Cylinder head cover subassembly			1		1	
	6R110100	气缸盖罩部件	Cylinder head cover subassembly						1
26	R080200-A	加油口盖部件	Cap , oil filter subassembly	1	1		1		
27	R080160-A	加油口滤网分部件	Strainer subassembly, oil filler	1	1		1		
28	4R110001-1	缸盖罩密封圈	Gasket,cylinder head cover	1	1	1	1	1	
	6R110001	气缸盖罩垫圈	Gasket,cylinder head cover						1
29	14 x 2.4GB1235-76	O 型橡胶密封圈	"O" type rubber seal ring	1	1	1	1	1	1
30	M10 x 20GB5783	全螺纹六角头螺栓	Full thread hex bolt	6	6	6	6	6	6
31	M10 x 80GB5782	六角头螺栓	Hex bolt	4	4	4	4	4	6
32	10GB848-140HV-Zn.D	小垫圈	Small washer	14	14	14	14	14	18
33	M10GB6170-Zn.D	六角螺母	Hex nut	4	4	4	4	4	6
34	M8GB55-8-HY	六角螺母	Hex nut	4	4	4	4	4	6
35	8GB849	球面垫圈	Spherical washer	4	4	4	4	4	6
36	3R010026	缸盖前盖板	Front cover, cylinder head			1			
37	3R010027	垫片	Casket			1			
38	M10 x 25GB21	小六角头螺栓	Small head hex bolt			7			
39	10GB848-140HV-Zn.D	小垫圈	Small washer			7			

机体总成
CYLINDER BLOCK ASSEMBLY



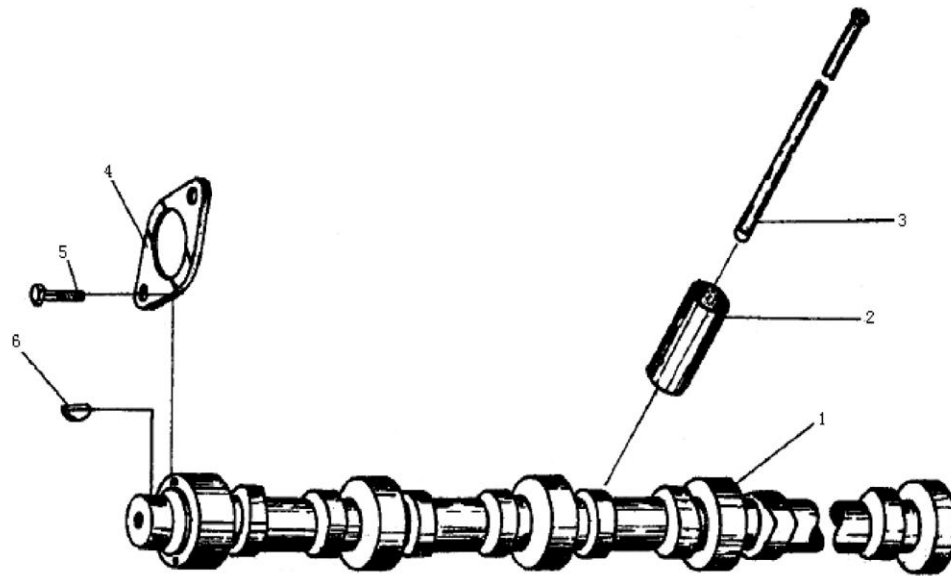
2. 机体总成
CYLINDER BLOCK ASSEMBLY

柴油机型号 Model				4RMZG8	4RMG25-1	4RNSG3	4RNG3	4RMAZG	6RMG20
供货号 Delivery No.						QZ2	XG1	QZ2	LZ2
1	R1020001	气缸套	Cylinder liner	4	4			4	6
	R5020001	气缸套	Cylinder liner			4	4		
2	R1020003	气缸套第二,三槽 O 型密封圈	"O" seal ring,2nd & 3rd grooves	12	12	12	12	12	18
3	4RD020008	前推杆室盖	Front pushrod chamber cover	1	1	1	1	1	
	6R020008-A	前推杆室盖	Front pushrod chamber cover						1
4	6R020009	推杆室盖垫片	Gasket, front pushrod chamber cover						1
	495-01024(b)	侧盖板垫片	Side cover gasket	1	1	1	1	1	
5	R020011-A	推杆室螺柱	Stud,pushrod chamber	4	4	4	4	4	6
6	R020012	主油压溢流阀回油管	Oil drain tube,overflow valve	1	1	1	1	1	
7	R020015	空心定位销	Hollow dowel pin	2	2	2	2	2	2
8	4R1ZT2020016	油管接头	Oil pipe adapter	1	1	1	1	1	1
	R020016-B	油管接头	Oil pipe adapter				1		
	R020016-C	油管接头	Oil pipe adapter					1	
	R020016-D	油管接头	Oil pipe adapter		1				
	6R1C5020016	油管接头	Oil pipe adapter			1			1

柴 油 机 型 号 Model				4RMZG8	4RMG25-1	4RNSG3	4RNG3	4RMAZG	6RMG20
供货号 Delivery No.						QZ2	XG1	QZ2	LZ2
9	R020200-1	冷却器供水接头部件	Oil cooler water supply joint subassembly	1			1		
	6R1G8020200	冷却器供水接头部件	Oil cooler water supply joint subassembly						1
	4R5L020200	供水接头座部件	Oil cooler water supply joint subassembly		1	1		1	
10	R020017	接头座垫片	Gasket,water supply joint seat	1	1	1	1	1	1
11	R020019	密封垫圈	Seal washer	4	4	4	4	4	6
12	R020024-1	凸轮轴孔闷塞	Plug,camshaft bore	1	1	1	1	1	1
13	R020041-JH	主轴承上瓦结合件	Main bearing	4	4	4	4	4	6
14	R020043-JH	主轴承止推瓦结合件	Thrust bearing	1	1	1	1	1	1
15	4R1G25020100-JH	机体机械加工部件结合件	Cylinder block subassembly		1				
	4R1Z020100-B-JH	机体机械加工部件结合件	Cylinder block subassembly	1				1	
	4R5020100-2-JH	机体机械加工部件结合件	Cylinder block subassembly				1		
	4R5020100-3-JH	机体机械加工部件结合件	Cylinder block subassembly			1			
	6R1020100-1-JH	机体机械加工部件结合件	Cylinder block subassembly						1
16	R020300	放水阀部件	Drain cock subassembly	1	1	1	1	1	1
17	R020500	超载溢流阀部件	Overflow valve subassembly	1	1	1	1	1	1

柴 油 机 型 号 Model				4RMZG8	4RMG25-1	4RNSG3	4RNG3	4RMAZG	6RMG20
供货号 Delivery No.						QZ2	XG1	QZ2	LZ2
18	R010209	方槽锥形螺塞	Conic plug	4	4	4	2	4	2
19	R020108	碗型塞	Expansion plug	1	1	1	1	1	2
20	195-01105	闷塞	Expansion plug	3	3	3	3	3	5
21	M10 × 20GB5783	全螺纹六角头螺栓	Full thread hex bolt						4
22	M10 × 25GB5783	全螺纹六角头螺栓	Full thread hex bolt	4	4	4	4	4	
23	M16 × 80GB5782	六角头螺栓	Hex bolt	2	2	2	2	2	2
24	M10GB923-Zn.D	盖形螺母	Acorn nut	4	4	4	4	4	6
25	10GB848-140HV-Zn.D	小垫圈	Small washer	4	4	4	4	4	4
26	16GB97-Zn.D	平垫圈	Plain washer	2	2	2	2	2	2
27	A10 × 20GB119	圆柱销	Dowel pin	1	1	1	1	1	1
28	A12 × 20GB119	圆柱销	Dowel pin	2	2	2	2	2	2
29	A12 × 25GB119	圆柱销	Dowel pin	1	1	1	1	1	1

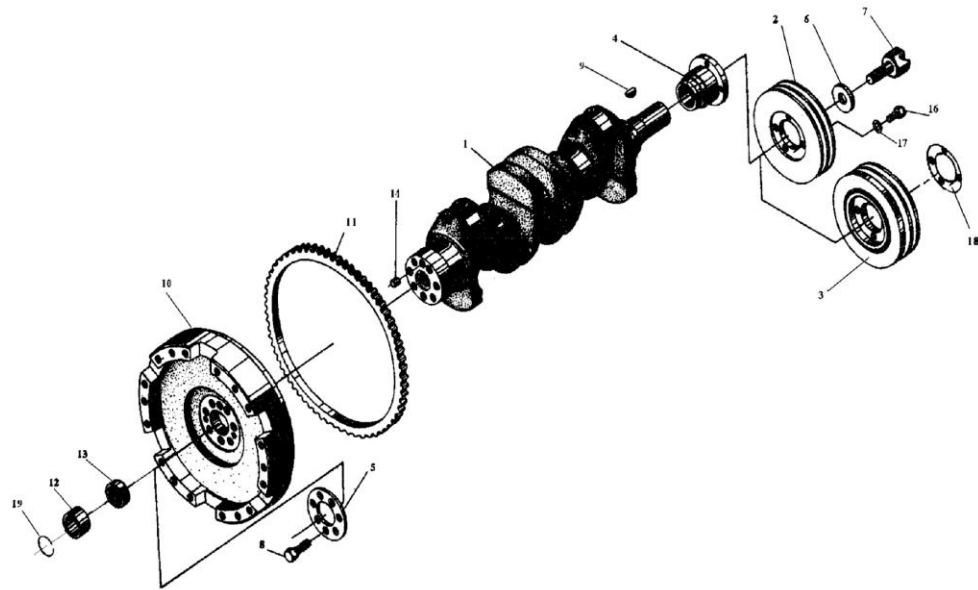
凸轮轴总成
CAMSHAFT ASSEMBLY



3. 凸轮轴总成
CAMSHAFT ASSEMBLY

柴 油 机 型 号 Model				4RMZG8	4RMG25-1	4RNSG3	4RNG3	4RMAZG	6RMG20
供货号 Delivery No.						QZ2	XG1	QZ2	LZ2
1	4R030001Y	凸轮轴	Camshaft	1	1	1	1	1	
	6R030001y	凸轮轴	Camshaft						1
2	R030002	挺柱	Tappet	8	8	8	8	8	12
3	R030003	推杆	pushrod	8	8	8	8	8	12
4	R030004	凸轮轴止推板	Thrust plate,camshaft	1	1	1	1	1	1
5	M8 × 20GB5783	全螺纹六角头螺栓	Full thread hex bolt	2	2	2	2	2	2
6	6 × 22GB1099	半圆键	Woodruff key	1	1	1	1	1	1

曲轴飞轮总成
CRANKSHAFT & FLYWHEEL ASSEMBLY

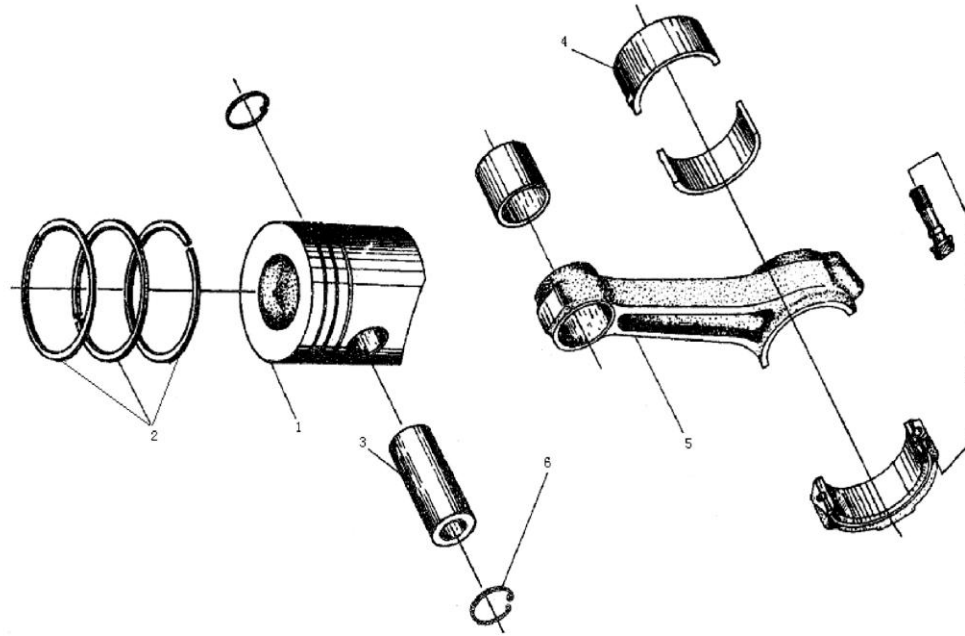


4. 曲轴飞轮总成
CRANKSHAFT & FLYWHEEL ASSEMBLY

柴油机型号 Model				4RMZG8	4RMG25-1	4RNSG3	4RNG3	4RMAZG	6RMG20
供货号 Delivery No.						QZ2	XG1	QZ2	LZ2
1	4R040001-D	曲轴	Crankshaft	1	1	1			
	4R4040001	曲轴	Crankshaft				1		
	4R2040001-A	曲轴	Crankshaft					1	
	6R040001-D	曲轴	Crankshaft						1
2	R040003-A	曲轴皮带轮	Pulley,crankshaft	1			1		
	4R1G25040003	曲轴皮带轮	Pulley,crankshaft		1				
	R040003-A-1	曲轴皮带轮	Pulley,crankshaft			1		1	
3	6R040200	扭振减振器部件	Vibration damper						1
4	R040004-B	曲轴皮带轮轮毂	Hub,crankshaft pulley	1	1	1	1	1	1
5	R040005	飞轮螺栓垫板	Plate,flywheel bolt	1	1	1	1	1	1
6	R040007-A	曲轴皮带轮挡圈	Retainer ring,crankshaft	1	1	1	1	1	1
7	R040008-C	起动爪	Starting dog	1	1	1	1	1	1
8	R040009-1	飞轮螺栓	Flywheel bolt	7		7	7		7
	4R5T1040009	飞轮螺栓	Flywheel bolt					7	
	4R1G25040009	飞轮螺栓	Flywheel bolt		7				
9	R040015	半圆键	Woodruff key	2	2	2	2	2	2

柴 油 机 型 号 Model				4RMZG8	4RMC25-1	4RNSG3	4RNG3	4RMAZG	6RMC20
供货号 Delivery No.						QZ2	XG1	QZ2	LZ2
10	4R040101	飞轮	Flywheel	1				1	
	4R1G25040101	飞轮	Flywheel		1				
	4R1G34040101	飞轮	Flywheel			1			
	6R1G10040101	飞轮	Flywheel						1
	4R1G74040101	飞轮	Flywheel				1		
11	R040102	飞轮齿圈	Ring gear,flywheel	1	1	1	1	1	1
12	4R040027	定位套	Dowel bush	1					
	6R1Q2040025	定位套	Dowel bush						1
13	60205 GB276	单列向心球轴承	Ball bearing		1				1
14	A14×22GB119	圆柱销	Dowel pin	1	1	1	1	1	1
16	M10×22GB5783	全螺纹六角头螺栓	Full thread hex bolt	4		4	4	4	4
	M10×40GB5783	全螺纹六角头螺栓	Full thread hex bolt		4				
17	10GB93	弹簧垫圈	Spring washer	4	4	4	4	4	4
18	R040006	曲轴皮带轮压板	compression plate,crankshaft pulley			1		1	
19	Φ52GB893.1	挡圈	retainer ring		1				

活塞连杆总成
PISTON & CONNECTING ROD ASSEMBLY

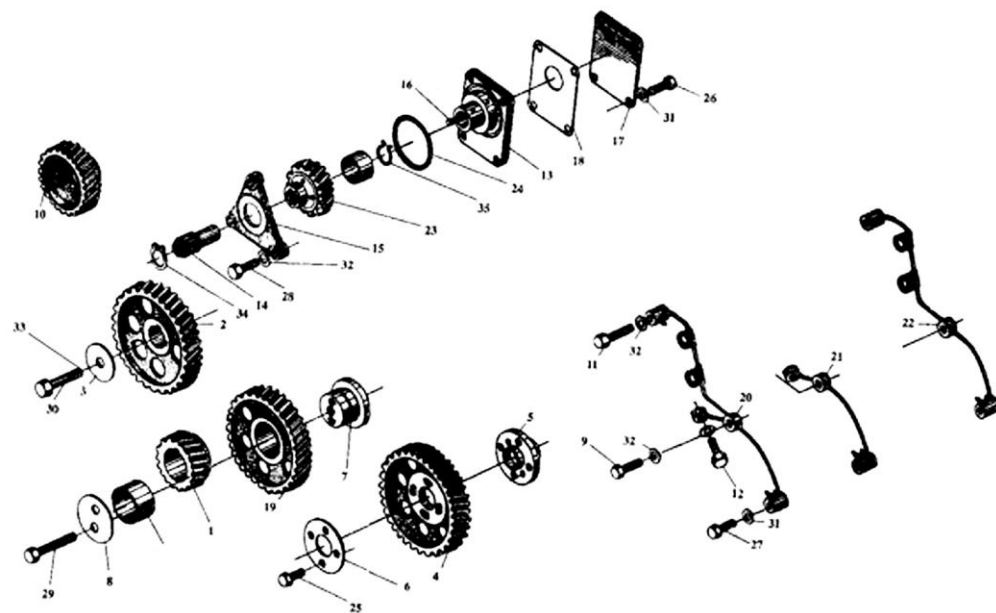


5. 活塞连杆总成

PISTON & CONNECTING ROD ASSEMBLY

柴 油 机 型 号 Model				4RMZG8	4RMC25-1	4RNSG3	4RNG3	4RMAZG	6RMC20
供货号 Delivery No.						QZ2	XG1	QZ2	LZ2
1	R1050001	活塞	Piston		4				6
	R1Z050001	活塞	Piston	4					
	R2Z050001	活塞	Piston					4	
	R5050000	活塞	Piston				4		
	R5050001-S	活塞	Piston			4			
2	R1050002-B-JH	活塞环结合件	Piston ring	4	4				6
	R1050002-A-JH	活塞环结合件	Piston ring					4	
	R5050002-JH	活塞环结合件	Piston ring			4			
	R5050002-A-JH	活塞环结合件	Piston ring				4		
3	R1050004	活塞销	Piston pin	4	4	4	4	4	6
4	R050005	连杆轴瓦	Connecting rod bearing		8				12
	RZ050005	连杆轴瓦	Connecting rod bearing	8		8	8	8	
5	R050100-B	连杆部件	Connecting rod subassembly	4	4	4	4	4	6
6	36CB893.1	孔用弹簧挡圈	Circlips for holes	8	8	8	8	8	12

齿轮系总成
GEAR SYSTEM ASSEMBLY



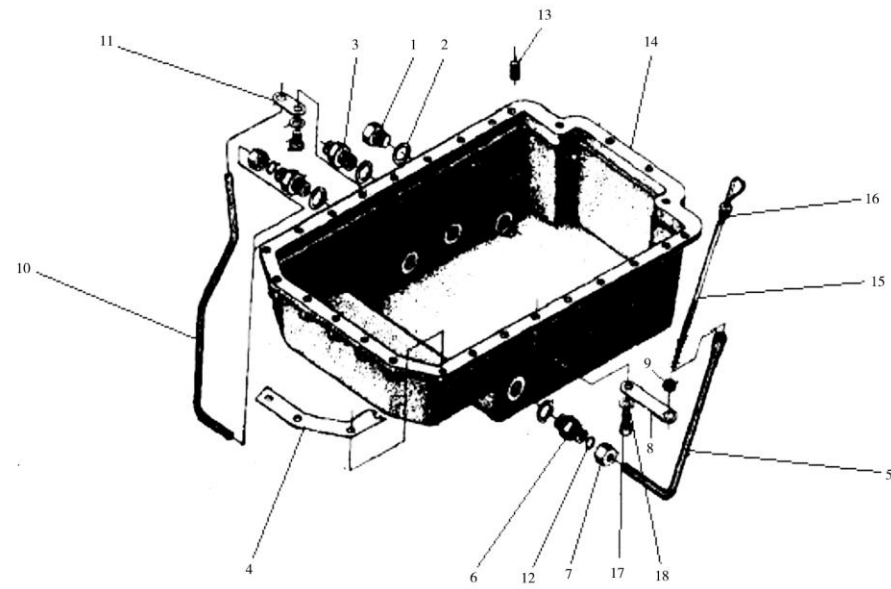
6. 齿轮系总成
GEAR SYSTEM ASSEMBLY

柴油机型号 Model				4RMZG8	4RMG25-1	4RNSG3	4RNG3	4RMAZG	6RMG20
供货号 Delivery No.						QZ2	XG1	QZ2	LZ2
1	R060001-A	曲轴齿轮	Crankshaft gear	1	1	1	1	1	1
2	R060003-A	凸轮轴齿轮	Camshaft gear	1	1	1	1	1	1
3	R060004	凸轮轴齿轮挡圈	Camshaft gear retainer	1	1	1	1	1	1
4	R060005-A-1	喷油泵齿轮	Fuel injection pump gear	1	1	1	1	1	1
5	R060006-1-A	喷油泵齿轮轮毂(配A型泵专用)	Fuel injection pump gear hub		1		1		
	R060006-1-C	喷油泵齿轮轮毂	Fuel injection pump gear hub						1
6	R060007-1	喷油泵齿轮压板	Plate,Fuel injection pump gear	1	1	1	1	1	1
7	R060009	惰齿轮轴	Idler gear shaft	1	1	1	1	1	1
8	R060011	惰齿轮止推板	Thrust plate,idler gear	1	1	1	1	1	1
9	R060012	正时齿轮润滑油道螺钉	banjo bolt, timing gear lubricating oil passage	1	1	1	1	1	1
10	RT060021-A	空压机齿轮	air compressor gear	1		1	1	1	1
11	RT060022	润滑油道螺钉	banjo bolt,lubricating oil pipe	1		1	1	1	1
12	RT060023	润滑油道螺钉	banjo bolt,lubricating oil pipe	1		1	1	1	1
13	RT060024	液压泵传动齿轮轴	driven gear shaft,hydraulic pump	1		1		1	1

柴 油 机 型 号 Model				4RMZG8	4RMG25-1	4RNSG3	4RNG3	4RMAZG	6RMG20
供货号 Delivery No.						QZ2	XG1	QZ2	LZ2
14	RT060025	液压泵传动花键套	driven spline bush,hydraulic pump	1		1		1	1
15	RT060026	液压泵传动齿轮止推板	driven gear thrust palte,hydraulic pump	1		1		1	1
16	RT060027	堵塞	Plug	1		1		1	1
17	RT060028	盖板	Cover, hydraulic pump	1		1		1	1
18	RT060029	液压泵垫片	Gasket, hydraulic pump	1		1		1	1
19	R060100-A	惰齿轮部件	Idler gear subassembly	1	1	1	1	1	1
20	RT060200	齿轮润滑油管部件	Gear lubricating oil pipe subassembly	1		1		1	1
21	4RC060200	齿轮润滑油管部件	Gear lubricating oil pipe subassembly		1				
22	6RQ060200	齿轮润滑油管部件	Gear lubricating oil pipe subassembly				1		
23	RT061100	液压泵齿轮部件	hydraulic pump gear subassembly	1		1		1	1
24	80 × 3.1GB1235	"O" 型密封圈	"O" seal ring	1		1		1	1
25	M8 × 25GB5783-10.9	全螺纹六角头螺栓	Full thread hex bolt	4	4	4	4	4	4
26	M8 × 30GB5783	全螺纹六角头螺栓	Full thread hex bolt	4		4		4	4
27	M8 × 40GB5783	全螺纹六角头螺栓	Full thread hex bolt	1	1	1	1	1	1

柴 油 机 型 号 Model				4RMZG8	4RMC25-1	4RNSG3	4RNG3	4RMAZG	6RMC20
供货号 Delivery No.						QZ2	XG1	QZ2	LZ2
28	M10 × 30GB5783	全螺纹六角头螺栓	Full thread hex bolt	5		5		5	5
29	M10 × 65GB5782	六角头螺栓	Hex bolt	2	2	2	2	2	2
30	M12 × 55GB5782	六角头螺栓	Hex bolt	1	1	1	1	1	1
31	8GB848-140HV-Zn.D	小垫圈	Small washer	9	9	9	5	9	9
32	10GB848-140HV-Zn.D	小垫圈	Small washer	2	2	2	1	2	2
33	12GB93	弹簧垫圈	Spring washer	1	1	1	1	1	1
34	25GB894.1	轴用弹性挡圈	Circlips for shaft	1		1		1	1
35	25GB895.2	轴用钢丝挡圈	Circlips for shaft	1		1		1	1

油底壳总成
OIL SUMP ASSEMBLY

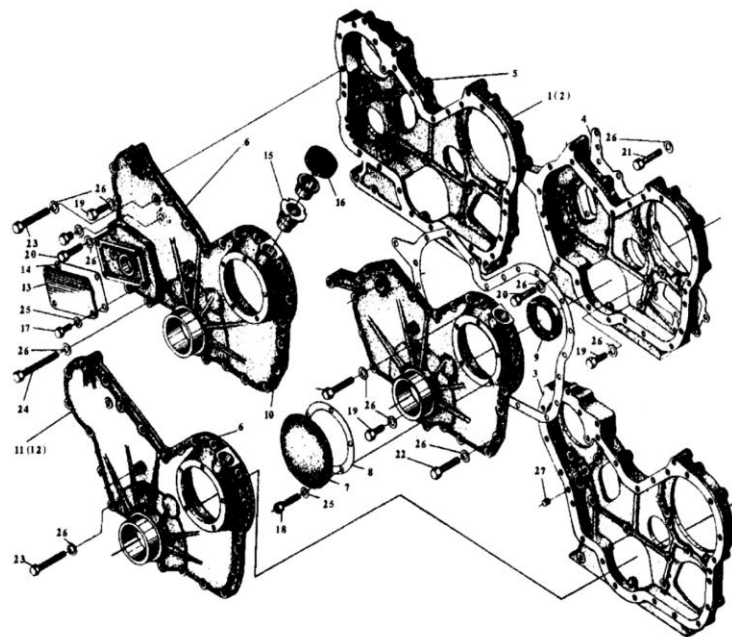


7. 油底壳总成
OIL SUMP ASSEMBLY

柴 油 机 型 号 Model				4RMZG8	4RMG25-1	4RNSG3	4RNG3	4RMAZG	6RMG20
供货号 Delivery No.						QZ2	XG1	QZ2	LZ2
1	R070001-A	放油螺塞	Oil drain plug	1	1		1		1
	R070001	放油螺塞	Oil drain plug	2	3	3	1	3	
2	R070002-1	螺塞垫圈	Washer,plug	4	4	4		4	4
3	R070003	温度表接头	Adapter,temperature gauge	1					1
4	4R070004	油底壳垫片	Gasket,oil sump	1		1	1	1	
	4RT070004	油底壳垫片	Gasket,oil sump		1				
	6R070004	油底壳垫片	Gasket,oil sump						1
5	R070008	油尺套管	Tube for dipstick	1	1	1	1	1	1
6	R070009	套管接头	Dipstick tube adapter	1	1	1	2	1	2
7	R070011	接头螺母	Nut,dipstick tube adapter	1	1	1	2	1	2
8	R070012	油尺套管支撑板	Support plate	1	1	1	1	1	1
9	R070013	橡胶圈	Rubber ring	1	1	1	1	1	2
10	R070014-1	分油器回油管	Oil drain pipe,oil separator						1
11	R070015	回油管支撑板	Support plate						1
12	R070021	复合胶圈	Composite rubber ring	1	1	1	1	1	2

柴 油 机 型 号 Model				4RMZG8	4RMG25-1	4RNSG3	4RNG3	4RMAZG	6RMG20
供货号 Delivery No.						QZ2	XG1	QZ2	LZ2
13	R070022	圆柱销	Dowel pin						2
14	4R070101-1-B	油底壳	Oil sump	1		1		1	
	4R1C25070101	油底壳	Oil sump		1				
	4RC9070101	油底壳	Oil sump				1		
	6R070100-1	油底壳	Oil sump						1
15	R070250	油尺焊接分部件	Dipstick subassembly	1		1	1	1	
	4R1T070200	油尺焊接分部件	Dipstick subassembly		1				
16	13 x 1.9GB1235-76	O 型橡胶密封圈	"O" type rubber seal ring	1	1	1	1	1	1
17	M10 x 25GB21	全螺纹六角头螺栓	Full thread hex bolt	27	27	27	27	27	35
18	10GB848-140HV-Zn.D	小垫圈	Small washer	27	27	27	27	27	35

正时齿轮室总成
TIMING GEAR CASE ASSEMBLY

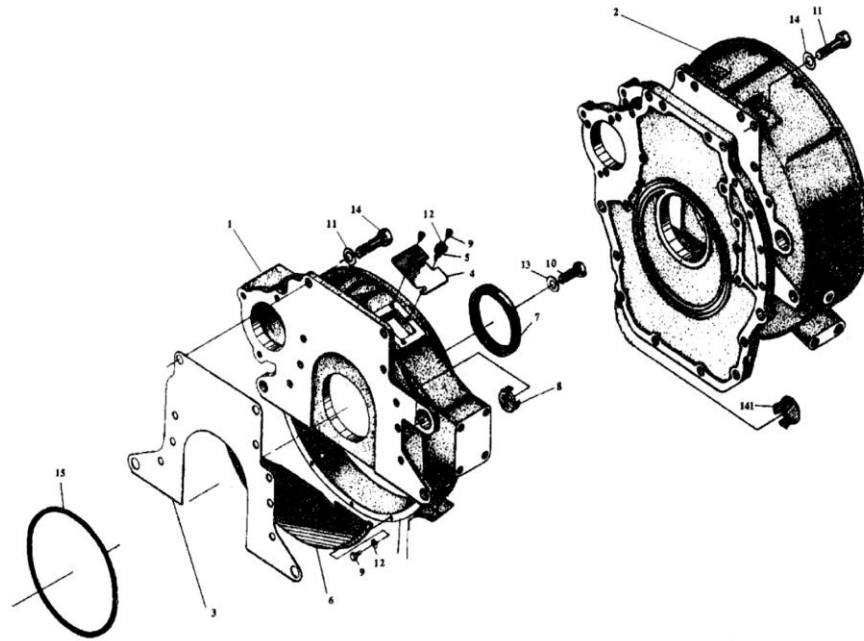


8. 正时齿轮室总成
TIMING GEAR CASE ASSEMBLY

柴油机型号 Model				4RMZG8	4RMG25-1	4RNSG3	4RNG3	4RMAZG	6RMG20
供货号 Delivery No.						QZ2	XG1	QZ2	LZ2
1	4RC4080001	正时齿轮室	Timing gear case	1		1		1	
2	6R1T080001-1	正时齿轮室	Timing gear case		1				
3	6RQ080001	正时齿轮室	Timing gear case				1		1
4	R080002	齿轮室垫片	Gasket,gear case				1		1
5	RT080002	齿轮室垫片	Gasket,gear case	1	1	1		1	
6	6RQ080003	齿轮室盖垫片	Gasket,gear case cover				1		1
	6R1T1080003	齿轮室盖垫片	Gasket,gear case cover		1				
	RT080003	齿轮室盖垫片	Gasket,gear case cover	1		1		1	
7	R080004	喷油泵检查孔盖	Cover,pump inspection window	1	1	1	1	1	1
8	R080005	喷油泵检查孔盖垫片	Gasket,pump inspecting window cover	1	1	1	1	1	1
9	R080006-A	曲轴前油封	Front oil seal,crankshaft	1	1	1	1	1	1
10	4RC4080101	正时齿轮室盖	Cover,timing gear case	1		1		1	
11	4R1ZT2080101-1	正时齿轮室盖	Cover,timing gear case		1				
12	6RQ080101	正时齿轮室盖	Cover,timing gear case				1		1
13	RT060028	盖板	Cover, hydraulic pump	1		1		1	

柴 油 机 型 号 Model				4RMZG8	4RMC25-1	4RNSG3	4RNG3	4RMAZG	6RMC20
供货号 Delivery No.						QZ2	XG1	QZ2	LZ2
14	RT060029	液压泵垫片	Gasket, hydraulic pump	1		1		1	
15	R080301-JH	加油口接管结合件	Oil filler pipe	1	1	1	1	1	1
16	R080303	加油口盖	Oil filler cap	1	1	1	1	1	1
17	M8 × 20GB5783	全螺纹六角头螺栓	Full thread hex bolt	4		4		4	
18	M8 × 25GB5783	全螺纹六角头螺栓	Full thread hex bolt	5	5	5	5	5	5
19	M10 × 30GB5783	全螺纹六角头螺栓	Full thread hex bolt	24	20	20	20	20	20
20	M10 × 45GB5783	全螺纹六角头螺栓	Full thread hex bolt	3	3	3	3	3	3
21	M10 × 60GB5782	六角头螺栓	Hex bolt	1	1	1	1	1	1
22	M10 × 70GB5782	六角头螺栓	Hex bolt	9	9	9	9	9	9
23	M10 × 75GB5782	六角头螺栓	Hex bolt	1	1	1	1	1	
24	M10 × 90GB5782	六角头螺栓	Hex bolt	2		2		2	
25	8GB848-140HV-Zn.D	小垫圈	Small washer	9	9	9	5	9	5
26	10GB848-140HV-Zn.D	小垫圈	Small washer	40	36	36	34	36	34
27	A8 × 16GB119	圆柱销	Dowel pin	2	2	2	2	2	2

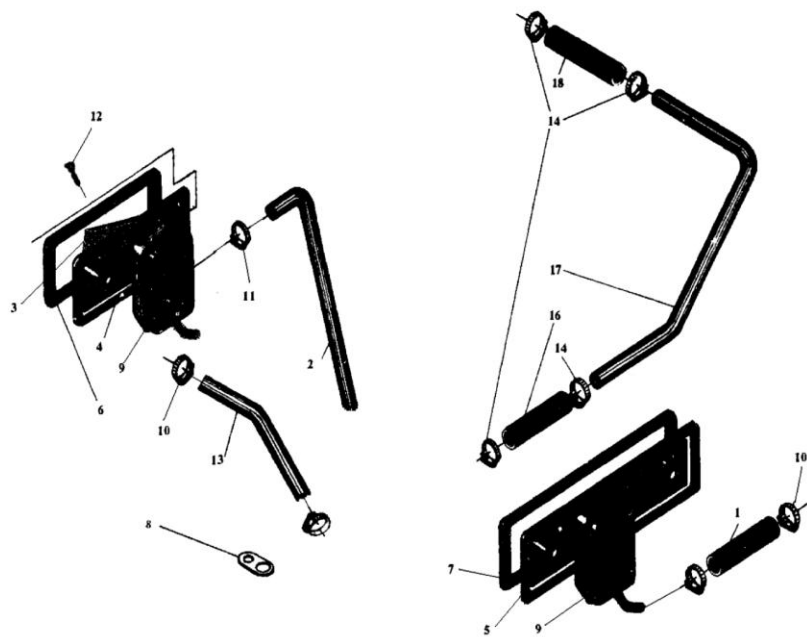
后油封壳体总成
REAR OIL SEAL HOUSING ASSEMBLY



9. 后油封壳体总成
REAR OIL SEAL HOUSING ASSEMBLY

柴 油 机 型 号 Model				4RMZG8	4RMG25-1	4RNSG3	4RNG3	4RMAZG	6RMG20
供货号 Delivery No.						QZ2	XG1	QZ2	LZ2
1	R090001	飞轮壳	Flywheel housing	1		1	1	1	1
2	4R1G25090001	飞轮壳	Flywheel housing		1				
3	R090002	飞轮壳垫片	Gasket,flywheel housing	1		1	1	1	1
4	R090003-1	检视窗盖	Cover,inspection window	1	1	1	1	1	1
5	R090004-1	指针	Pointer	1	1	1	1	1	1
6	R090005-A	盖板	dust Cover	1		1	1	1	1
7	R090006-A	曲轴后油封	Rear oil seal, crankshaft	1	1	1	1	1	1
8	R090007-1	堵塞	Plug	1	1	1	1	1	1
9	M6 × 12GB5783	全螺纹六角头螺栓	Full thread hex bolt	8	3	8	8	8	8
10	M10 × 30GB5783	全螺纹六角头螺栓	Full thread hex bolt	7	7	7	7	7	7
11	M14 × 35GB5783	全螺纹六角头螺栓	Full thread hex bolt	2	2	2	2	2	2
12	6GB97.1-140HV-Zn.D	平垫圈	Plain washer	5		5	5	5	5
13	10GB848-140HV-Zn.D	小垫圈	Small plain washer	7	7	7	7	7	7
14	14GB848-140HV-Zn.D	小垫圈	Small plain washer	2	2	2	2	2	2
15	240 × 5.7GB1235-76	O 型密封圈	"O" type rubber seal ring		1				

曲轴箱通风装置总成
CRANKCASE VENTILATION ASSEMBLY

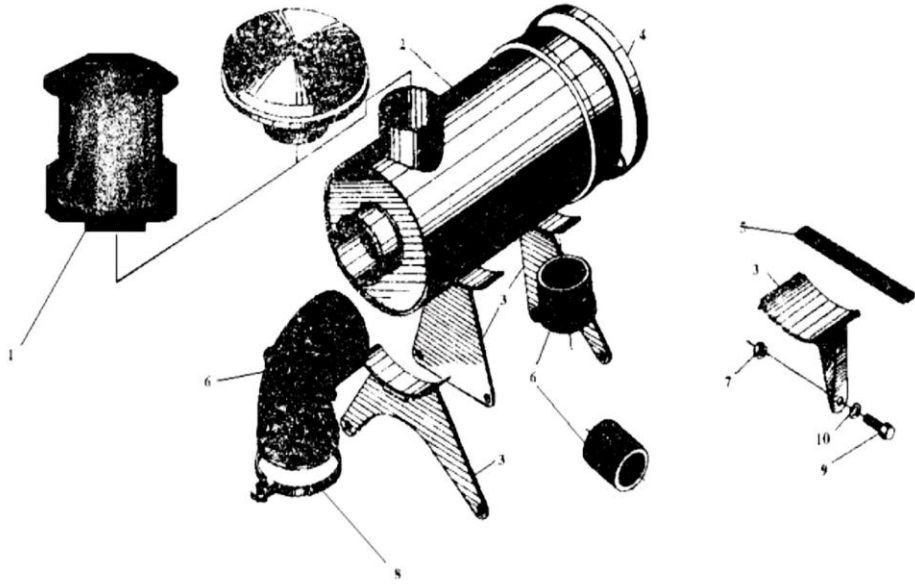


10. 曲轴箱通风装置总成
CRANKCASE VENTILATION ASSEMBLY

柴 油 机 型 号 Model				4RMZG8	4RMC25-1	4RNSG3	4RNG3	4RMAZG	6RMC20
供货号 Delivery No.						QZ2	XG1	QZ2	LZ2
1	6R120001-A	接头胶管	Connecting hose						1
2	4R1T120011	出气胶管	Oil gas rubber hose	1	1	1	1	1	
3	R120007-A	后推杆室隔板	Rear pushrod chamber baffle plate	1	1	1	1	1	1
4	4R120008	后推杆室盖	Rear pushrod chamber cover	1	1	1	1	1	
5	6R120008	后推杆室盖	Rear pushrod chamber cover						1
6	495-01024(b)	侧盖板垫片	Gasket,upper side cover	1	1	1	1	1	
7	6R020009	推杆室盖垫片	Pushrod chamber gasket						1
8	6R1Q3120021	管卡	Pipe clamp						1
9	R120100	通风装置焊合件	Ventilation device subassembly	1	1	1	1	1	1
10	R120400	胶管夹箍部件	Hose clamp subassembly	1	1	1	1	1	2
11	φ22-32Q67532	胶管夹箍	Hose clamp	1	1	1	1	1	1
12	M6 × 8GB818	十字花盘头螺钉	Screw	2	2	2	2	2	2
13	4R120001-1	分油器回油管	oil return pipe,breather	1	1	1	1	1	
14	Φ30 钢丝卡箍	Φ30 钢丝卡箍	Φ30 hose clamp	1	1	1	1	1	4
15	4R1ZT2730501	回油接头	oil return joint		1	1			

柴油机型号 Model				4RMZG8	4RMC25-1	4RNSG3	4RNG3	4RMAZG	6RMC20
供货号 Delivery No.						QZ2	XG1	QZ2	LZ2
16	6R120001	接头胶管	Connecting hose						1
17	6R1G120301	分油器接管	connecting tube,breather						1
18	4R120006	接头胶管	Connecting hose						1

空滤器总成
AIR CLEANER ASSEMBLY

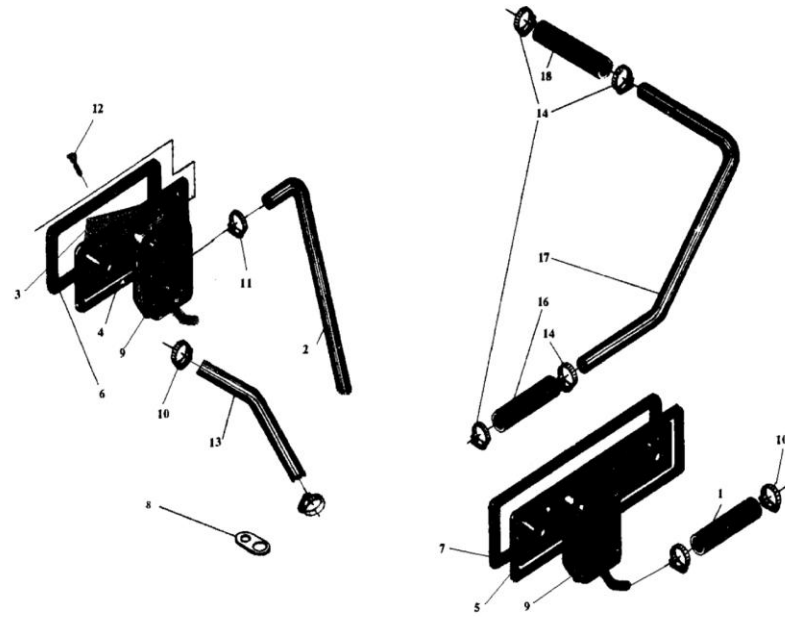


11. 空滤器总成
AIR CLEANER ASSEMBLY

柴油机型号 Model				4RMZG8	4RMG25-1	4RNSG3	4RNG3	4RMAZG	6RMG20
供货号 Delivery No.						QZ2	XG1	QZ2	LZ2
1	ZH4100G1-8B-07110	空气预滤器	Air cleaner subassembly			1			
	4R1C78210200	空气预滤器	Air cleaner subassembly				1	1	
2	4R1ZD1210100	空气滤清器部件	Air cleaner subassembly	1					
	ZH4100G-07120-A	空气滤清器部件	Air cleaner subassembly			1			
	4RNG3210100-1	空气滤清器部件	Air cleaner subassembly				1		
	4R1C78210100-1	空气滤清器部件	Air cleaner subassembly					1	
	6R1G6210100	空气滤清器部件	Air cleaner subassembly						1
3	4RZ210400	空滤器支架焊合件	Air cleaner support welding part	1					
	4R4ZLD210400	空滤支架焊合件	Air cleaner support welding part			1			
	4R1C74210600	空滤支架焊合件	Air cleaner support welding part				1	1	
	6R1C20210600	空滤支架焊合件	Air cleaner support welding part						1
4	ZH4100K42-07200	空滤卡箍部件	Air cleaner clamp subassembly			1			
	4R1C74210200	空滤卡箍部件	Air cleaner clamp subassembly				2	1	
	6R1Z210500	空滤卡箍部件	Air cleaner clamp subassembly						2
	6R1Q210500	空滤卡箍部件	Air cleaner clamp subassembly	1					

柴油机型号 Model				4RMZG8	4RMC25-1	4RNSG3	4RNG3	4RMAZG	6RMG20
供货号 Delivery No.						QZ2	XG1	QZ2	LZ2
5	ZH4100K42-07002	空滤垫片	gasket,air cleaner			1			
	4R1G74210002	空滤垫片	gasket,air cleaner				2	1	
	6R1Z210024	空滤卡箍垫片	Clamp gasket,air cleaner						2
	6R1Q210024	空滤卡箍垫片	Clamp gasket,air cleaner	1					
6	4RZG210001	胶管	Rubber hose	1					
	4RMC22210001-LY1	进气胶管	air intake hose			1			
	4R1G74210001	空滤连接胶管	air filter connecting hose				1		
	4R2ZG210001-LY1	空滤胶管	air cleaner rubber hose					1	
	6R1G22210001	空滤连接胶管	Connecting rubber hose,air cleaner						1
	6R1G10210002	联接胶管	connecting hose						1
7	4RZ730014	垫圈	Washer	2					
8	6R210300	胶管卡箍	Hose clamp	2					
	夹箍 B65-75GB566	夹箍 B65-75	clip B65-75			2		1	
	夹箍 B81-90GB566	夹箍 B81-90	clip B81-90				2	1	
9	M8×20GB5783	全螺纹六角头螺栓	Full thread hex bolt	2					
10	8CB848-140HV-Zn.D	小垫圈	Small washer	2					

进气管总成
AIR INLET MANIFOLD ASSEMBLY



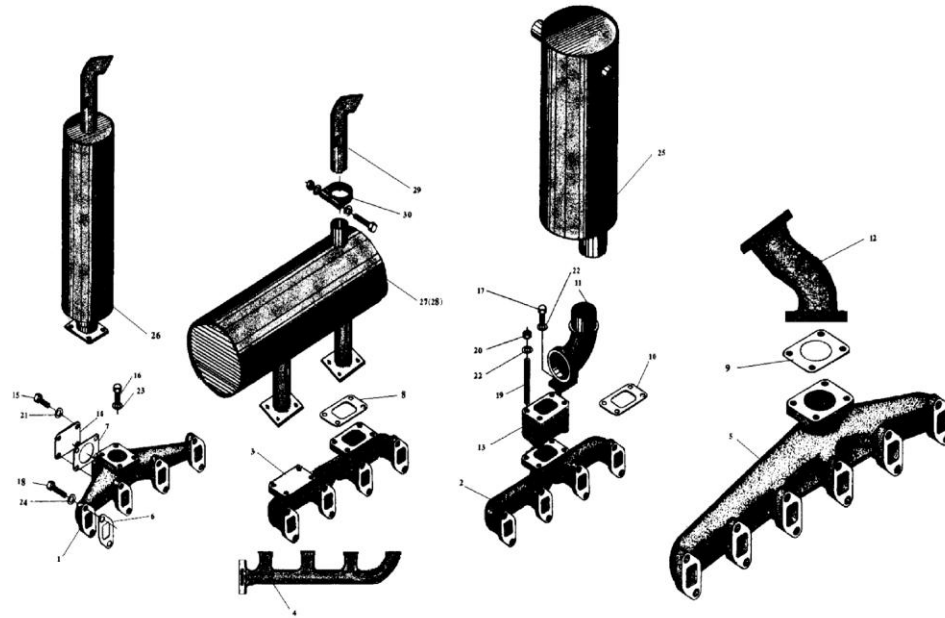
12. 进气管总成

AIR INLET MANIFOLD ASSEMBLY

柴油机型号 Model				4RMZG8	4RMG25-1	4RNSG3	4RNG3	4RMAZG	6RMG20
供货号 Delivery No.						QZ2	XG1	QZ2	LZ2
1	4R1T220001-A	进气管	Inlet manifold		1				
	4R4ZT3220001	进气管	Inlet manifold			1			
2	4R220001-1-A	进气管	Inlet manifold	1					
3	4R1G52220001	进气管	Inlet manifold				1		
4	6R220001	进气管	Inlet manifold						1
5	4R220002-1	进气管垫片	Gasket,air inlet connecting pipe	3	3	4	3		
6	6R220002	进气管垫片	Gasket,air inlet connecting pipe						4
7	R220003	进气管垫片	Inlet manifold gasket	4	4		4	4	6
	R5220003	进气管垫片	Inlet manifold gasket			4			
8	4R220005-A	进气管盖板	Cover,inlet manifold	2	2	1	2	2	
9	6R220005	进气管盖板	Cover,inlet manifold						3
10	4R220200-1	进气管盖板部件	inlet manifold Cover subassembly			1			
11	4R2D220021	进气管接管	Air inlet connecting pipe	1					
12	4R2ZG220021	进气管接管	Air inlet connecting pipe					1	
13	4R2ZG220022	进气管接管	Air inlet connecting pipe					1	

柴 油 机 型 号 Model				4RMZG8	4RMG25-1	4RNSG3	4RNG3	4RMAZG	6RMG20
供货号 Delivery No.						QZ2	XG1	QZ2	LZ2
14	4RZD220022	胶管	Rubber hose	1					
15	4R210300	B65-75 胶管卡箍	Hose clampB65-75	2				1	
16	4R220100-1-A	进气接管部件	Air inlet connecting pipe subassembly		1				
17	4R1G74220100	进气接管	Air inlet connecting pipe				1		
18	6R1G5220024	进气接头	adapter bolt,air inlet						1
19	6R1G20220021	进气接管	air inlet connecting pipe						1
20	6R1G5220002	进气接管垫片	Gasket,air inlet connecting pipe						1
21	6R1G10220200-1	进气管盖板焊接件	air inlet manifold cover ,welding part						1
22	M8 × 16GB5783	全螺纹六角头螺栓	Full thread hex bolt	4	12	12	12	8	
23	M8X20GB5783	全螺纹六角头螺栓	Full thread hex bolt						16
24	M8 × 25GB5783	全螺纹六角头螺栓	Full thread hex bolt	4				4	4
25	M10 × 35GB5783	全螺纹六角头螺栓	Full thread hex bolt	8	8	8	8	8	12
26	8GB848-140HV-Zn.D	小垫圈	Small washer	8	12	16	12	12	20
27	10GB848-140HV-Zn.D	小垫圈	Small washer	8	8	8	8	8	12

排气系统总成
EXHAUST SYSTEM ASSEMBLY

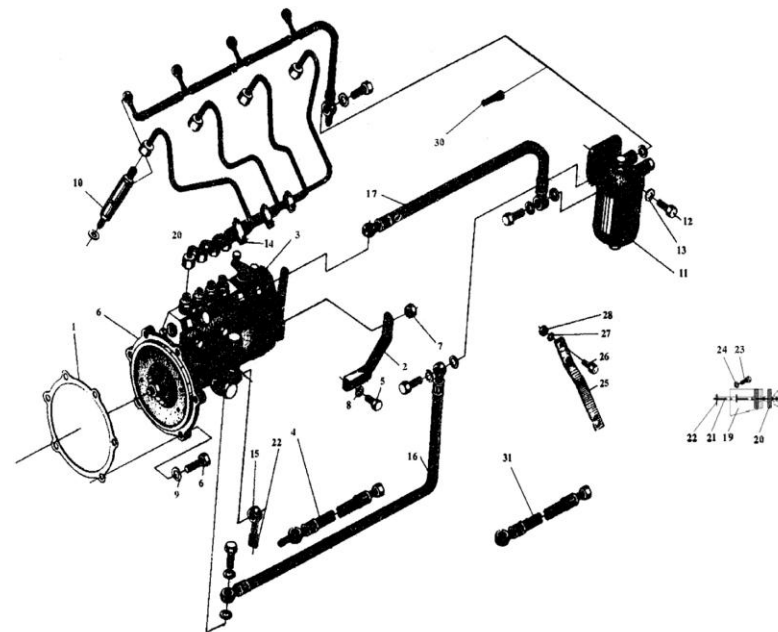


13. 排气系统总成
EXHAUST SYSTEM ASSEMBLY

柴油机型号 Model				4RMZG8	4RMG25-1	4RNSG3	4RNG3	4RMAZG	6RMG20
供货号 Delivery No.						QZ2	XG1	QZ2	LZ2
1	4R230001	排气管	Exhaust manifold		1				
	4RG9230001	排气管	Exhaust manifold			1			
2	4RZD230001	排气管	Exhaust manifold	1					
3	4R5L230001	排气管	Exhaust manifold				1		
4	4R4ZG230001-A	排气管	Exhaust manifold					1	
5	6R1G5230001-1	排气管	Exhaust manifold						1
6	R230002	排气歧管垫片	Exhaust manifold gasket	4	4	4	4	4	6
7	4R230003	排气接管垫片	Gasket,exhaust connecting pipe		1	2			
8	4R1T19-1230003	排气接管垫片	Gasket,exhaust connecting pipe				2		
9	6R1G10230003	排气接管垫片	Gasket,exhaust connecting pipe						1
10	4RZD730001	增压器垫片	Turbocharger gasket	2					
11	4RZD230104	排气弯管	Exhaust elbow	1					
11	4R1ZT2080101-1	正时齿轮室盖	Cover,timing gear case		1				
12	6RQ080101	正时齿轮室盖	Cover,timing gear case				1		1
13	RT060028	盖板	Cover, hydraulic pump	1		1		1	

柴 油 机 型 号 Model				4RMZC8	4RMC25-1	4RNSG3	4RNG3	4RMAZC	6RMC20
供货号 Delivery No.						QZ2	XG1	QZ2	LZ2
14	4RC9230023	盖板	Cover, exhaust manifold			1			
15	M8 × 20GB5783	全螺纹六角头螺栓	Full thread hex bolt			4			
16	M8 × 25GB5783	全螺纹六角头螺栓	Full thread hex bolt		4	4			
17	M10 × 25GB5783	全螺纹六角头螺栓	Full thread hex bolt	2			8		
18	M10 × 35GB5783	全螺纹六角头螺栓	Full thread hex bolt	8	8	8	8	12	15
19	AM10 × 110GB898-A2-70	双头螺柱	Stud	4					
20	M10GB6170-A2-70	不锈钢六角头螺母	Stainless steel hex nut	4					
21	8GB848-140HV-Zn.D	小垫圈	Small washer		4	4			
22	10GB848-140HV-Zn.D	小垫圈	Small washer	14	8	8	16	12	19
23	8GB93	弹簧垫圈	Spring washer			4			
24	10GB93	弹簧垫圈	Spring washer	12		4			22
25	4RZ240000	消声器总成	Silencer assembly	1					
26	4R1L240100	消声器部件	Silencer subassembly			1			
27	4R1G74240100	消声器部件	Silencer subassembly				1		
28	4R2ZC240100-LY1	消声器	Silencer					1	
29	ZH4100G50-08110	消声器尾管	Silencer tail pipe				1		
30	495-08200	φ51 管抱箍	φ51 pipe clamp				1		

燃油系统总成
FUEL SYSTEM ASSEMBLY



14. 燃油系统总成
FUEL SYSTEM ASSEMBLY

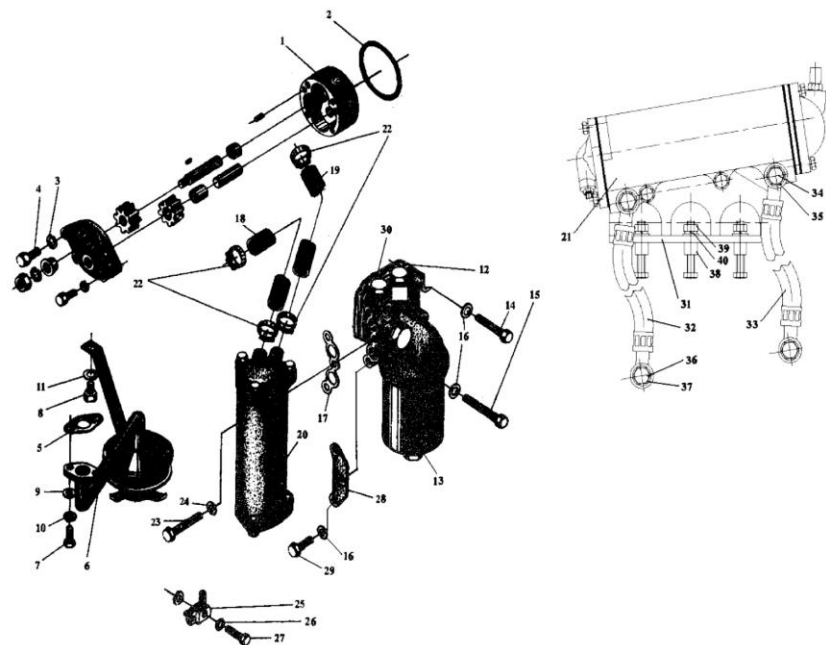
柴油机型号 Model				4RMZG8	4RMG25-1	4RNSG3	4RNG3	4RMAZG	6RMG20
供货号 Delivery No.						QZ2	XG1	QZ2	LZ2
1	R310001	喷油泵垫片	Gasket,fuel injection pump	1	1	1	1	1	1
2	4R310002-A	喷油泵辅助支架	Auxiliary bracket for fuel injection pump	1	1	1	1	1	
3	4R1G78310100	喷油泵部件	Fuel injection pump subassembly				1		
	4RZ310100-A	喷油泵部件	Fuel injection pump subassembly	1					
	4RC310100-A	喷油泵部件	Fuel injection pump subassembly		1				
	4RG310100-C	喷油泵部件	Fuel injection pump subassembly			1		1	
	6R1G20310100-A	喷油泵部件	Fuel injection pump subassembly						1
4	4R1ZT2310200	喷油泵润滑油管部件	Lubricating pipe subassembly,fuel injection pump	1	1	1	1	1	1
5	M8×20GB5783	全螺纹六角头螺栓	Full thread hex bolt	2	2	2	2	2	2
6	M10×30GB5783	全螺纹六角头螺栓	Full thread hex bolt	4	4	4	4	4	4
7	M10GB6170-Zn.D	六角螺母	Hex nut	1	1	1	1	1	1
8	8CB848-140HV-Zn.D	小垫圈	Small washer	2	2	2	2	2	2
9	10CB848-140HV-Zn.D	小垫圈	Small washer	4	4	4	4	4	4
10	4R5T1320100	喷油器部件	Injector subassembly	4	4	4	4	4	4

柴 油 机 型 号 Model				4RMZG8	4RMG25-1	4RNSG3	4RNG3	4RMAZG	6RMG20
供货号 Delivery No.						QZ2	XG1	QZ2	LZ2
11	4R1T330100	柴油滤清器部件	Fuel filter subassembly				1		
	6R330100	柴油滤清器部件	Fuel filter subassembly	1	1	1		1	1
12	M8 × 25GB5783	全螺纹六角头螺栓	Full thread hex bolt	2	2	2	2	2	2
13	8GB848-140HV-Zn.D	小垫圈	Small washer	2	2	2	2	2	2
14	4R340000-A	高压油管总成	High pressure fuel pipe assembly	1			1		
	4RC340000	高压油管总成	High pressure fuel pipe assembly		1				
	4R1G340000-A	高压油管总成	High pressure fuel pipe assembly			1		1	
	6R340000-A	高压油管总成	High pressure fuel pipe assembly						1
15	R350101	接头圈	Connector ring	1					
	4R350101-A	接头圈	Connector ring			1		1	
	4R1G25350101	接头圈	Connector ring		1				
16	4R1ZT2350200	滤清器进油管部件	Fuel inlet pipe,fuel filter	1				1	
	4R350200	滤清器进油管部件	Fuel inlet pipe,fuel filter				1		
	4RD350200-A	滤清器进油管部件	Fuel inlet pipe,fuel filter		1	1		1	
	6R1G20350200	滤清器进油管部件	Fuel inlet pipe,fuel filter						1

柴 油 机 型 号 Model				4RMZG8	4RMG25-1	4RNSG3	4RNG3	4RMAZG	6RMG20
供货号 Delivery No.						QZ2	XG1	QZ2	LZ2
17	4RD350200-A	滤清器进油管部件	Fuel inlet pipe,fuel filter	1					
	4R1ZT2350300	喷油泵进油管部件	Fuel inlet pipe,fuel injection pump			1			
	4R350300-A	喷油泵进油管部件	Fuel inlet pipe,fuel injection pump		1		1		
	6R1G20350300	喷油泵进油管部件	Fuel inlet pipe,fuel injection pump						1
18	4R350400-A-1	喷油嘴回油管部件	Fuel return pipe,injector	1		1			
	4R350400-LQ	喷油嘴回油管部件	Fuel return pipe,injector			1		1	
	4R1G78350400	喷油嘴回油管部件	Fuel return pipe,injector				1		
	6R350400-A	喷油器回油管部件	Fuel return pipe,injector						1
19	RD370006	调速板	Governing plate	1					
20	RD370007	手轮	Handwheel	2					
21	4RD370009-A	调节杆	Adjusting rod	1					
22	1.6X12GB91-Zn.D	开口销	Split pin	1					
23	M6 × 50GB5783	全螺纹六角头螺栓	Full thread hex bolt	2					
24	6GB93	弹簧垫圈	Spring washer	2					
25	4R1G34310021	油门拉架	throttle pulling rod			1		1	
	4R1G310021	油门拉架	throttle pulling rod		1				
	6R1G8310021	油门拉架	throttle pulling rod				1		1

柴油机型号 Model				4RMZG8	4RMC25-1	4RNSG3	4RNG3	4RMAZG	6RMC20
供货号 Delivery No.						QZ2	XG1	QZ2	LZ2
26	M6×16GB5783-Zn.D	全螺纹六角头螺栓	Full thread hex bolt		2	2	2	2	
27	6GB848-140HV-Zn.D	小垫圈	Small washer		2	2	2	2	
28	M6GB6170-8-Zn.D	六角螺母	Hex nut		2	2	2	2	
29	4R1G78350100	油箱回油管部件	fuel return pipe subassembly				1		
30	4R1G25350001	回油接头	oil return adapter		1				

润滑系统总成
LUBRICATING SYSTEM ASSEMBLY



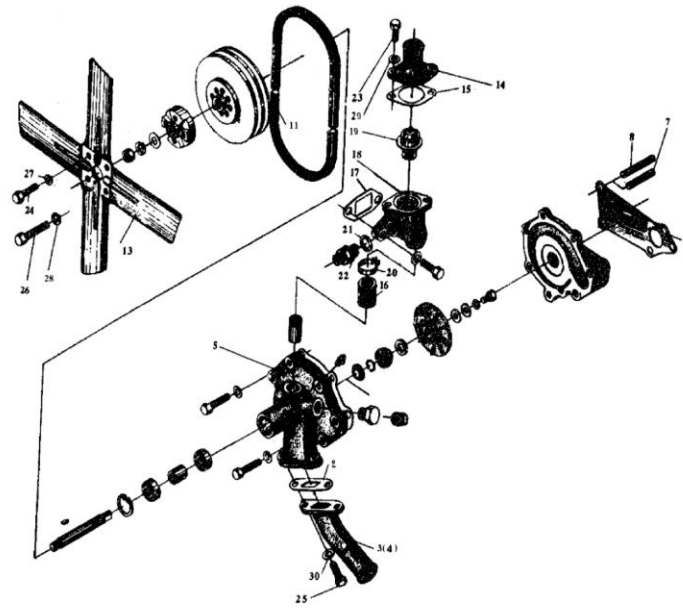
15. 润滑系统总成
LUBRICATING SYSTEM ASSEMBLY

柴 油 机 型 号 Model				4RMZG8	4RMG25-1	4RNSG3	4RNG3	4RMAZG	6RMG20
供货号 Delivery No.						QZ2	XG1	QZ2	LZ2
1	4R410100-2	机油泵	Oil pump		1		1		
	6R410100-2	机油泵	Oil pump	1		1		1	1
2	100×3.1GB1235-76	O 型橡胶密封圈	"O" type rubber seal ring	2	2	2	2	2	2
3	M10×30GB5783	全螺纹六角头螺栓	Full thread hex bolt	2	2	2	2	2	2
4	10GB93	弹簧垫圈	Spring washer	2	2	2	2	2	2
5	4R420001	吸油管法兰垫片	Gasket,oil suction pipe flange	1	1	1	1	1	1
6	4R420100-1-JH	吸油管部件	Oil suction pipe subassembly	1	1	1		1	
	4RC9420100-JH	吸油管部件	Oil suction pipe subassembly				1		
	6R1C20420100-JH	吸油管部件	Oil suction pipe subassembly						1
7	M8×25GB5783	全螺纹六角头螺栓	Full thread hex bolt	2	2	2	2	2	2
8	M10×16GB5783	全螺纹六角头螺栓	Full thread hex bolt	1	1	1	1	1	1
9	8GB848-140HV-Zn.D	小垫圈	Small washer	2	2	2	2	2	2
10	8GB93	弹簧垫圈	Spring washer	2	2	2	2	2	2
11	10GB848-140HV-Zn.D	小垫圈	Small washer	1	1	1	1	1	1
12	R430001-1	机油滤座垫片	Gasket,oil filter seat'	1	1	1	1	1	

柴 油 机 型 号 Model				4RMZG8	4RMG25-1	4RNSG3	4RNG3	4RMAZG	6RMG20
供货号 Delivery No.						QZ2	XG1	QZ2	LZ2
13	4R430100	机油滤清器部件	Oil filter subassembly	1	1		1	1	
	4R4T11430100	机油滤清器部件	Oil filter subassembly			1			
	6R1G8430100	机油滤清器部件	Oil filter subassembly						1
14	M10×60GB5782	六角头螺栓	Hex bolt	3	3	3	3	3	
	M10×80GB5782	六角头螺栓	Hex bolt						3
15	M10×85GB5782	六角头螺栓	Hex bolt	1	1	1	1	1	3
	M10×105GB5782	六角头螺栓	Hex bolt						1
16	10GB848-140HV-Zn.D	小垫圈	Small washer	4	4	7	4	4	6
17	4R450001	冷却器垫片	Oil cooler gasket	1	1	1	1	1	
18	4R450003-1	进水管	Water inlet hose				1		
	4R4T11450003-A	进水管	Water inlet hose			1			
	4R5D-P450003	进水管	Water inlet hose	1	1			1	
	6R1G8450003	冷却器进水管	Water outlet hose, Oil cooler subassembly						1
19	4R450004-1	出水管	Water outlet hose	1	1		1	1	
	4R4T11450004-A	出水管	Water outlet hose			1			
	6R1G8450004	冷却器出水管	Water outlet hose, Oil cooler subassembly						1
20	4R450100B	机油冷却器部件	Oil cooler subassembly	1	1		1	1	
21	495C-09600-1	机油冷却器部件	Oil cooler subassembly						1

柴 油 机 型 号 Model				4RMZG8	4RMG25-1	4RNSG3	4RNG3	4RMAZG	6RMG20
供货号 Delivery No.						QZ2	XG1	QZ2	LZ2
22	R120500	胶管夹箍部件	Hose clamp subassembly	4	4	4	4	4	4
23	M10 × 60GB5782	六角头螺栓	Hex bolt	3	3		3	3	3
24	10GB848-140HV-Zn.D	小垫圈	Small washer	3	3		3	3	3
25	R2Z470100	喷嘴部件	Cooling nozzle subassembly	4	4		4	4	
26	495-01022	垫圈	Washer	8	8		8	8	
27	RZ470003	管接螺钉	Banjo bolt	4	4		4	4	
28	4RG9430013	机滤器盖板	cover,oil filter seat			1			
29	M10 × 25GB5783	六角头螺栓	Hex bolt			3			
30	6R1G430014	机油滤清器垫块	Spacer,oil filter						1
31	6R1G8450200	机油冷却器支架焊合件	Oil cooler bracket welding part						1
32	6R1G8451100	冷却器进油管部件	Oil inlet pipe subassembly, Oil cooler						1
33	6R1G8451200	冷却器出油管部件	Oil outlet pipe subassembly,Oil cooler						1
34	495Z-09816	空心螺栓	Banjo bolt						2
35	495-01403-1	垫圈	washer						4
36	4RZT450024	管接螺钉	Banjo bolt						2
37	R070002-1	螺塞垫圈	Washer,plug						4
38	6R1G8450008	垫套	spacer bush						3
39	M10GB6170	六角螺母	Hex nut						3
40	10GB93	弹簧垫圈	Spring washer						3

冷却系统总成
COOLING SYSTEM ASSEMBLY



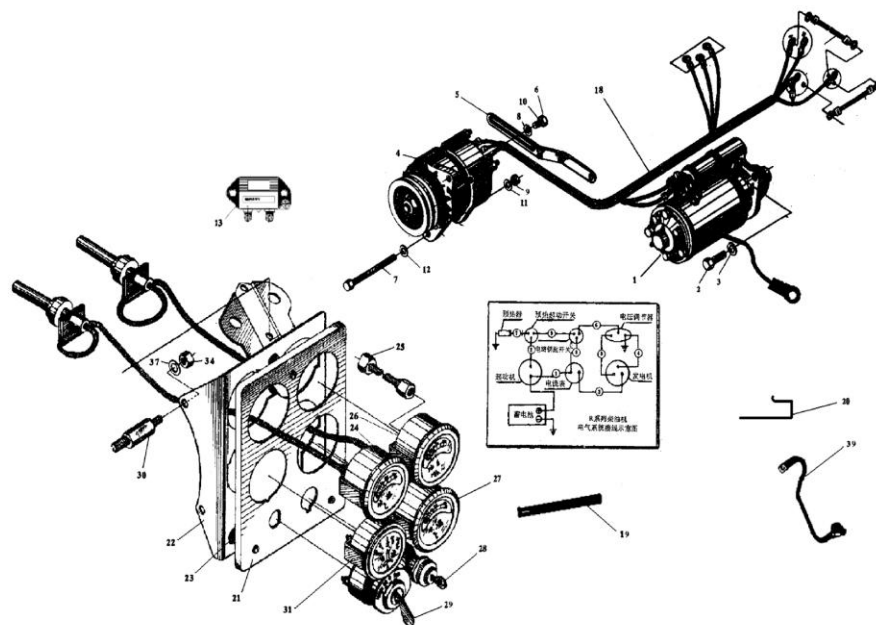
16. 冷却系统总成
COOLING SYSTEM ASSEMBLY

柴油机型号 Model				4RMZG8	4RMG25-1	4RNSG3	4RNG3	4RMAZG	6RMG20
供货号 Delivery No.						QZ2	XG1	QZ2	LZ2
1	R510007	垫片	Gasket	1	1	1	1	1	1
2	R510009	垫片	Gasket	1	1	1	1	1	1
3	R510011	接管	Connecting pipe		1	1	1	1	1
4	6R1P510011	水泵接管	Water pump connecting pipe	1					
5	R510100	水泵部件	Water pump subassembly				1		
	6RQ510100	水泵部件	Water pump subassembly						1
	4R1L1510100	水泵部件	Water pump subassembly	1					
	4R1T510100-WSM	水泵部件	Water pump subassembly		1	1		1	
6	M10×25GB21	全螺纹六角头螺栓	Full thread hex bolt	2	2	2	2	2	2
7	AM10×80GB898-8.8-HY	双头螺柱	Stud	3	3	3	3	3	3
8	AM10×85GB898-8.8-HY	双头螺柱	Stud	1	1	1	1	1	1
9	M10GB6170-Zn.D	六角螺母	Hex nut	4	4	4	4	4	4
10	10GB848-140HV-Zn.D	小垫圈	Small washer	6	2	2	2	2	6
11	R520001	传动皮带	Belt	2	2				
	4RT520001-A	传动皮带	Belt			2		2	
	A1478 GB1171	传动皮带	Belt						2
	AV13×1345	传动皮带	Belt				2		

柴 油 机 型 号 Model				4RMZG8	4RMC25-1	4RNSG3	4RNG3	4RMAZG	6RMC20
供货号 Delivery No.						QZ2	XG1	QZ2	LZ2
12	4R520003	垫块	Bed plate		1				
	4R1G52520003	垫块	Bed plate					1	
	4R1L9520003-A	垫块	Bed plate			1			
	6R520003	垫块	Bed plate	1					
	6R1G5520003	垫块	Bed plate						1
	4R1ZD1520003	垫块	Bed plate				1		
13	4RG520100-1	风扇部件	Fan subassembly		1				
	6RG520100	风扇部件	Fan subassembly	1					
	6R520100	风扇部件	Fan subassembly						1
	ZH4100G57-06120	风扇部件	Fan subassembly				1		
	F490-7-42-64	风扇部件	Fan subassembly			1			
	F530-10-42-64	风扇部件	Fan subassembly					1	
14	4R530001	节温器盖	Thermostat cover		1				
	6R1G20530001	节温器盖	Thermostat cover						1
	6R1G5530001	节温器盖	Thermostat cover	1		1	1	1	1
15	R530002	垫片	Gasket	1	1	1	1	1	1
16	R530003	软管	Connecting hose	1	1	1	1	1	1
17	R530004	垫片	Gasket	1	1		1	1	1
	3R530004-A	垫片	Gasket			1			

柴 油 机 型 号 Model				4RMZG8	4RMG25-1	4RNSG3	4RNG3	4RMAZG	6RMG20
供货号 Delivery No.						QZ2	XG1	QZ2	LZ2
18	R530100	节温器体	Thermostat body		1		1		
	4R1T530100	节温器体	Thermostat body					1	
	6R1Q530100	节温器体	Thermostat body	1					1
	4R5530100	节温器体	Thermostat body			1			
19	R530200	节温器部件	Thermostat subassembly	1	1		1		
20	R530300	胶管夹箍部件	Hose clamp subassembly	2	2	2	2	2	2
21	R070002	螺塞垫圈	Washer				1	1	1
22	R070003	温度表接头	Temperature gauge adapter					1	
	R070003-A	温度表接头	Temperature gauge adapter		1		1		
	6R1G5070003	温度表接头	Temperature gauge adapter			1			1
23	M8 × 25GB5783	全螺纹六角头螺栓	Full thread hex bolt	2	2	2	2	2	2
24	M8 × 40GB5783	全螺纹六角头螺栓	Full thread hex bolt		4				
25	M10 × 30GB5783	全螺纹六角头螺栓	Full thread hex bolt	2	2	2	2	2	2
26	M10 × 40GB21	六角头螺栓	Hex bolt				4		4
	M10 × 50GB5783	六角头螺栓	Hex bolt	4		4		4	
27	8GB93	弹簧垫圈	Small washer		4				
28	10GB93	弹簧垫圈	Small washer	4		4	4	4	4
29	8GB848-140HV-Zn.D	小垫圈	Small washer	2	2	2	2	2	2
30	10GB848-140HV-Zn.D	小垫圈	Small washer	2	2	2	2	2	6

电器系统总成
ELECTRICAL SYSTEM ASSEMBLY



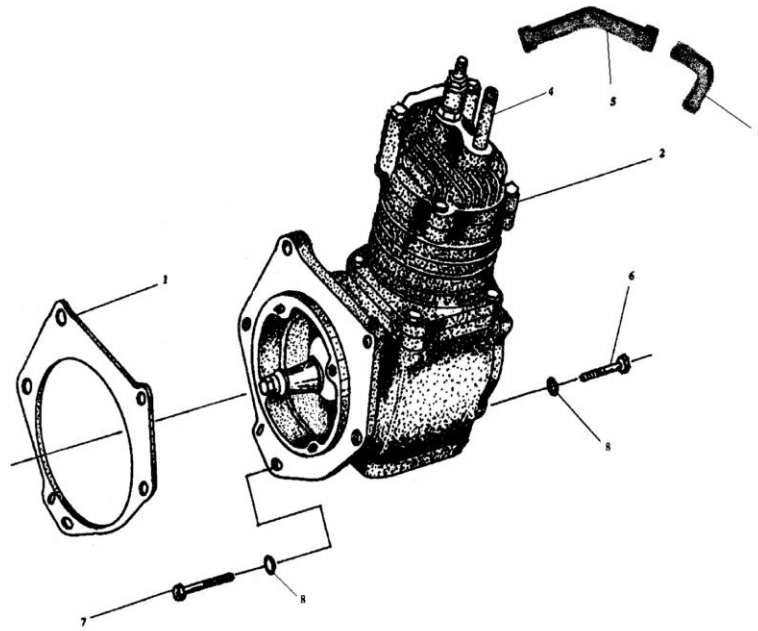
17. 电器系统总成
ELECTRICAL SYSTEM ASSEMBLY

柴油机型号 Model				4RMZG8	4RMG25-1	4RNSG3	4RNG3	4RMAZG	6RMG20
供货号 Delivery No.						QZ2	XG1	QZ2	LZ2
1	4RC610100-A	起动机部件	Starter motor subassembly	1	1	1	1	1	1
2	M10×30GB5783	全螺纹六角头螺栓	Full thread hex bolt	3	3	3	3	3	3
3	10GB848-140HV-Zn.D	小垫圈	Small washer	3	3	3	3	3	3
4	6R620100	发电机部件	Charging alternator subassembly	1		1		1	
	6RQ620100	发电机部件	Charging alternator subassembly		1				
	6R1G5-1620100	发电机部件	Charging alternator subassembly				1		1
5	4R620001-B	发电机调节架	Alternator adjusting bracket	1		1		1	
	4RT620001-B	发电机调节架	Alternator adjusting bracket		1				
	6R1G5-1620001-1	发电机调节架	Alternator adjusting bracket				1		1
6	M8×25GB5783	全螺纹六角头螺栓	Full thread hex bolt	1	1	1	1	1	1
7	4R620005	发电机螺栓	Alternator bolt	1	1	1	1	1	1
8	R620006	加厚大垫圈	Thick big washer	1	1	1	1	1	1
9	M10GB6170-Zn.D	六角螺母	Hex nut	1	1	1	1	1	1
10	8GB93	弹簧垫圈	Spring washer	1	1	1	1	1	1
11	10GB93	弹簧垫圈	Spring washer	1	1	1	1	1	1
12	10GB848-140HV-Zn.D	小垫圈	Small washer	1	1	1	1	1	1
13	495K1-12300	电压调节器	Voltage regulator	1					

柴 油 机 型 号 Model				4RMZC8	4RMC25-1	4RNSG3	4RNG3	4RMAZC	6RMC20
供货号 Delivery No.						QZ2	XG1	QZ2	LZ2
14	M6 × 12GB5783	全螺纹六角头螺栓	Full thread hex bolt	2					
15	M6GB6170-8-HY	六角螺母	Hex nut	2					
16	6GB893	弹簧垫圈	Spring washer	2					
17	6GB97.1-140HV-Zn.D	平垫圈	Plain washer	2					
18	4R1650100-JH	4R 电线束结合件	Wire harness subassembly	1					
19	4R3D650200	电线套管	Wire harness tube	1					
20	4R3D650001	电线套管夹子	Clamp, wire harness	2					
21	495G-12701	仪表盘	Gauge panel	1					
22	495G-12710	仪表盘架焊合件	Gauge panel bracket welding part	1					
23	495G-12720	减震器组件	AVM pads subassembly	3					
24	495G-12620	油温表	Oil temperature gauge	1					
25	4RD1660300	机油压力表组件	Oil pressure gauge subassembly	1					
26	495G-12630	电流表	Ampere meter	1					
27	495G-12610	水温表	Water temperature gauge	1					
28	495G-12660	电路钥匙开关	Key switch	1					
29	495G-12650-1	起动开关	Starting switch	1					
30	4RD1660003	支柱	Spacer	2					
31	495G-12670	压力表管组件	Pressure gauge tube subassembly	1					

柴 油 机 型 号 Model				4RMZG8	4RMG25-1	4RNSG3	4RNG3	4RMAZG	6RMG20
供货号 Delivery No.						QZ2	XG1	QZ2	LZ2
32	M4×9GB67-Zn.D	开槽盘头螺钉	Screw	3					
33	M4GB6170-8-HY	六角螺母	Hex nut	3					
34	M8GB6170-Zn.D	六角螺母	Hex nut	2					
35	4GB93	弹簧垫圈	Spring washer	3					
36	4GB97.1-140HV-ZnD	平垫圈	Plain washer	3					
37	8GB848-140HV-Zn.D	小垫圈	Small washer	2					
38	495G-12810	起动机线连接头	Battery cable	1					
39	495G-12820	搭铁线连接头	Battery ground cable	1					

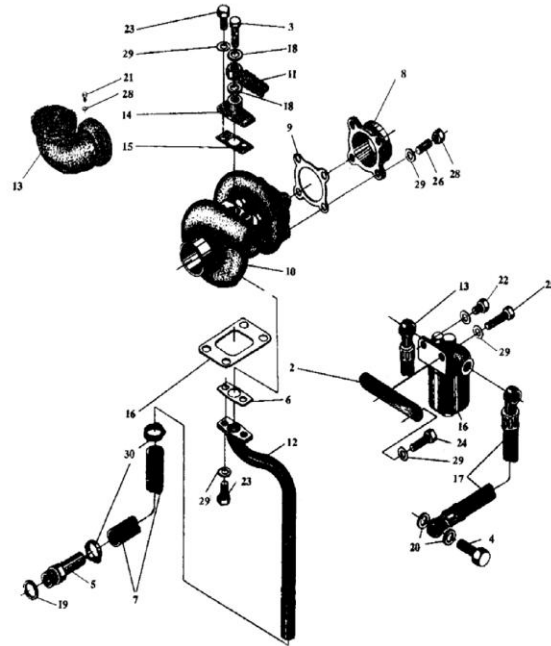
空气压缩机总成
AIR COMPRESSOR ASSEMBLY



18. 空气压缩机总成
AIR COMPRESSOR ASSEMBLY

柴油机型号 Model				4RMZG8	4RMG25-1	4RNSG3	4RNG3	4RMAZG	6RMG20
供货号 Delivery No.						QZ2	XG1	QZ2	LZ2
1	4R1G34710100	空气压缩机部件	air compressor subassembly			1			
	4R1G74710100	空压机部件	air compressor subassembly				1		
	4RT710001	空压机垫片	Gasket,air compressor			1	1	1	1
2	4R2ZG710100	空气压缩机部件	air compressor subassembly					1	
	6R1G5710100	空气压缩机部件	air compressor subassembly						1
3	6R1G10220021	进气管接头	joint, Inlet manifold			1	1		1
4	6R1G10710021	空压机进气接头	Joint,air compressor inlet port			1	1		1
5	4R1T710300	空压机进气软管组件	air inlet hose subassembly,air compressor			1	1		
	6R1G10710300	空压机进气软管组件	air inlet hose subassembly,air compressor						1
6	M10×30GB5783	全螺纹六角螺栓	Full thread hex bolt			4	4	4	4
7	M10×75GB5782	六角螺栓	Hex bolt			1	1	1	1
8	10GB848-140HV-Zn.D	小垫圈	Small washer			5	5	5	5

增压器总成
TURBOCHARGER ASSEMBLY



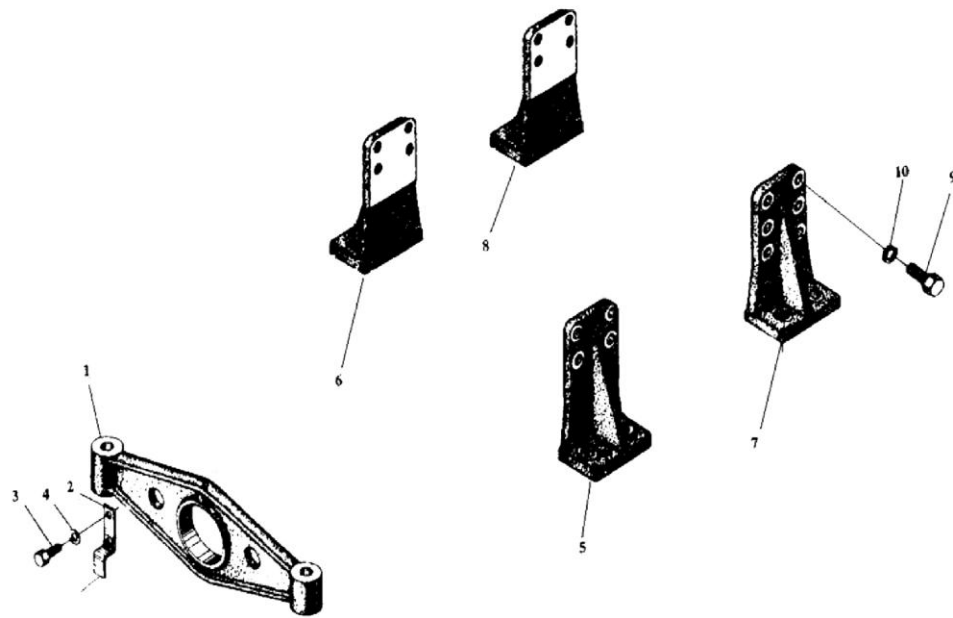
19. 增压器总成
TURBOCHARGER ASSEMBLY

柴油机型号 Model				4RMZG8	4RMG25-1	4RNSG3	4RNG3	4RMAZG	6RMG20
供货号 Delivery No.						QZ2	XG1	QZ2	LZ2
1	4R1ZT3730001	增压器垫片	Turbocharger gasket			1			
2	4RZ730002	机滤器支架	Bracket,oil filter	1		1			
3	495Z-23004	接头螺钉	Banjo bolt	1					
4	4RZ1730003-1	管接螺钉	Banjo bolt	1		1			
5	RZ730004	回油管接头	Adaptor,oil drain pipe	1					
6	495ZD-1-23002	回油法兰垫片	Gasket,oil drain flange	1					
	4R2ZG730008	回油法兰垫片	Gasket,oil drain flange			1			
7	4RZD730009	回油接管	Oil drain rubber hose	1					
	4R2ZG730009	回油接管	Oil drain rubber hose			1			
8	4RZ730011	增压器排气法兰	Exhaust flange,turbochager	1					
9	4RZ730012	增压器排气法兰垫片	Gasket,exhaust flange	1					
	4R2ZG730012	增压器排气法兰垫片	Gasket,exhaust flange			2			
10	4RZD730100	增压器部件	Turbocharger subassembly	1					
	4R2ZG730100	增压器部件	Turbocharger subassembly			1			
11	4R1ZD1730200	增压器进油管部件	Oil inlet pipe subassembly,turbocharger	1					
	4R2ZG730700	增压器进油管部件	Oil inlet pipe subassembly,turbocharger			1			

柴 油 机 型 号 Model				4RMZG8	4RMG25-1	4RNSG3	4RNG3	4RMAZG	6RMG20
供货号 Delivery No.						QZ2	XG1	QZ2	LZ2
12	4RZD730500-2	增压器回油管部件	Oil drain pipe subassembly,turbocharger	1					
	4RMAZG730500	增压器回油管部件	Oil drain pipe subassembly,turbocharger			1			
13	4R1ZD1730601	增压器进气接管	Air inlet connecting pipe,turbocharger	1					
14	495ZD-1-23006	增压器进油法兰	Oil inlet flange,turbocharger	1					
15	495ZD-1-23007	进油法兰垫片	Gasket,oil inlet flange	1					
16	495Z-23400(b)	机油滤清器部件	Oil filter subassembly	1		1			
17	4R350300-A	滤清器进油管部件	oil inlet pipe,oil filter			1			
	4R1ZD350500-A	滤清器进油管部件	oil inlet pipe,oil filter	1					
18	495Z-23003	垫圈	Washer	2		2			
19	495-01028	垫圈	Washer	1					
20	4RG620023	垫圈	Washer	2		2			
21	M6 × 20GB5783	全螺纹六角头螺栓	Full thread hex bolt	3		1			
22	M8 × 16GB5783	全螺纹六角头螺栓	Full thread hex bolt	1		1			
23	M8 × 20GB5783	全螺纹六角头螺栓	Full thread hex bolt	4					
24	M8 × 35GB5783	全螺纹六角头螺栓	Full thread hex bolt	1		1			
25	M8 × 30GB5783	全螺纹六角头螺栓	Full thread hex bolt	1					
26	AM8 × 20GB898-A2-70	双头螺柱	Stud	4					

柴油机型号 Model				4RMZG8	4RMG25-1	4RNSG3	4RNG3	4RMAZG	6RMG20
供货号 Delivery No.						QZ2	XG1	QZ2	LZ2
27	M6GB6170-8-HY	六角螺母	Hex nut	3					
28	M8GB6170-Zn.D	六角螺母	Hex nut	4		2			
29	8GB848-140HV-Zn.D	小垫圈	Small washer	11		2			
30	Φ32 钢丝卡箍	Φ32 钢丝卡箍部件	Steel wire clamp subassembly	2		2			

支架底座总成
BRACKET AND SUPPORT SEAT ASSEMBLY



20. 支架底座总成
BRACKET AND SUPPORT SEAT ASSEMBLY

柴 油 机 型 号 Model				4RMZG8	4RMG25-1	4RNSG3	4RNG3	4RMAZG	6RMG20
供货号 Delivery No.						QZ2	XG1	QZ2	LZ2
1	4RG740001-1	前支座	Front support	1					
2	4R740002	限位板	Position limit plate	1					
3	M8x16GB5783	全螺纹六角头螺栓	Full thread hex bolt	2					
4	8GB848-140HV-Zn.D	小垫圈	Small washer	2					
5	RD920011	前支架	Front bracket	2	2	2	2		
	6R1G20740021	左前支架	Front,left bracket						1
	R920011-Y2	运输左前支架	Front,left transport bracket					1	
6	6R1G20740022	右前支架	Front,right bracket						1
	R920011-Y1	运输右前支架	Front,right transport bracket					1	
7	RD920012	后支架	Rear bracket	2	2				
	6R1G20740023	左后支架	Rear,left bracket						1
	R920012-Y2	运输左后支架	Rear,left transport bracket					1	
8	6R1G20740024	右后支架	Rear,right bracket						1
	R920012-Y1	运输右后支架	Rear,right transport bracket					1	
	R920012-QZ	运输后支架	Rear transport bracket			2	2	8	
9	M12 x 30GB5783	全螺纹六角头螺栓	Full thread hex bolt			4	4		
	M12 x 35GB5783	全螺纹六角头螺栓	Full thread hex bolt	16	16	8	8		16
10	12GB859	轻型弹簧垫圈	Spring washer	16	16	12	12	8	16