



HANFENGQIANGLI

495/4100/4102系列固定动力用柴油机零件图册

495/4100/4102 SERIES DIESEL ENGINE PARTS CATALOG FOR POWER TAKEOFF UNIT



华丰动力股份有限公司
POWER HF CO.,LTD

华丰动力股份有限公司

地址：山东省潍坊市潍城区永安路1818号
邮编：261100
电话：(0536) 8102707
传真：(0536) 8102711
网址：<http://www.powerhf.com>
E-mail：info@powerhf.com

POWER HF CO.,LTD

Addr. No. 18, Weishu Road/Area Economic Development
Zone, Weifang City, Shandong Province, P. R. C.
Postal Code: 261100
Telephone: +86-536-8102707
Fax: +86-536-8102711
Website: www.powerhf.com
E-mail: info@powerhf.com

前 言

PREFACE

华丰动力牌 495、4100、4102 系列柴油机由全国科研院、所及生产厂家统一设计。该产品变型品种多，适应性好，被普遍用作拖拉机、发电机组、工程机械、农副业加工机械、农业排灌机械等的配套动力。该机型配件供应充足，维修方便。

为方便用户使用、维修、保养柴油机和订购配件，我们将生产批量较大的主要机型编入《495、4100、4102 系列柴油机零件图册》。图册中只画出较为典型的零件。需订购配件的用户，可按图册内提供的零件代号、名称、规格向当地农机供应部门或华丰动力股份有限公司以及有关协作厂联系购买。

华丰动力牌 495、4100、4102 系列柴油机在不断改进、提高，因此，图册中提供的零件可能与实物稍有出入，请用户在使用时注意。

本图册由付曙光、孙长义、徐传江、周茂森、童顺波、邵明鹏、胡来滨、孙旭旭、王国辉、付游、郑岩编写，窦玉香审核，鲍志超审定。

因时间仓促、水平所限，图册中若有错误或不当之处，敬请广大读者批评指正。

编 者

2013 年 8 月

Power HF495, 4100 and 4102 diesel engine is designed by national scientific research institutes and the manufactory. The various versions of the products possess good adaptability in application to tractors, generator sets, construction machineries, agricultural sideline processing and irrigation machineries. The parts are ample for supply and these engines are easy to maintain.

For convenience of the users to operate, maintain, repair the machine or order the parts, we compile 495, 4100 and 4102 Series Diesel Engine Parts Catalog with the main product models in large quantity. This book only shows typical parts. The users who want to order the parts can contact the nearest Agricultural Machinery Supplying Department, Power HF Co., Ltd. Or OEM manufactures according to the part number, name and specification showing in this catalog.

Power HF 495, 4100 and 4102 diesel engine will be improved continuously. Therefore it is possible that the engine supplied may be slightly different from that shown in this catalog.

The catalog is written by Shuguang Fu, Changyi Sun, Chuanjiang Xu, Maosen Zhou, Shunbo Tong, Mingpeng Shao, Laibin Hu, Xuxu Sun, Guohui Wang, You Fu, Yan Zheng, and examined and verified by Yuxiang Dou, and approved by Zhichao Bao.

Compilers

2013.8

目 录

CONTENTS

一、机体总成 (图1、图2)	
CYLINDER BLOCK ASSEMBLY (FIG.1、FIG.2)	1
机体总成 (图1、图2) 零件表	
CYLINDER BLOCK ASSEMBLY (FIG.1、FIG.2) TABLE	3
二、凸轮轴总成 (图3)	
CAMSHAFT ASSEMBLY (FIG.3)	11
凸轮轴总成 (图3) 零件表	
CAMSHAFT ASSEMBLY (FIG.3) TABLE	12
三、气缸盖总成 (图4)	
CYLINDER HEAD ASSEMBLY (FIG.4)	13
气缸盖总成 (图4) 零件表	
CYLINDER HEAD ASSEMBLY (FIG.4) TABLE	14
四、活塞连杆总成 (图5)	
PISTON AND CONNECTING ROD ASSEMBLY (FIG.5)	19
活塞连杆总成 (图5) 零件表	
PISTON AND CONNECTING ROD ASSEMBLY (FIG.5) TABLE	20
五、曲轴飞轮总成 (图6)	
CRANKSHAFT AND FLYWHEEL ASSEMBLY (FIG.6)	21
曲轴飞轮总成 (图6) 零件表	
CRANKSHAFT AND FLYWHEEL ASSEMBLY (FIG.6) TABLE	22
六、冷却系统总成 (图7)	
COOLING SYSTEM ASSEMBLY (FIG.7)	23
冷却系统总成 (图7) 零件表	
COOLING SYSTEM ASSEMBLY (FIG.7) TABLE	24

七、进气系统总成 (图 8)	
AIR INTAKE SYSTEM ASSEMBLY (FIG.8)	27
进气系统总成 (图 8) 零件表	
AIR INTAKE SYSTEM ASSEMBLY (FIG.8) TABLE	28
八、排气系统总成 (图 9)	
EXHAUST SYSTEM ASSEMBLY (FIG.9)	31
排气系统总成 (图 9) 零件表	
EXHAUST SYSTEM ASSEMBLY (FIG.9) TABLE	32
九、润滑系统总成 (图 10)	
LUBRICATING SYSTEM ASSEMBLY (FIG.10)	34
润滑系统总成 (图 10) 零件表	
LUBRICATING SYSTEM ASSEMBLY (FIG.10) TABLE	35
十、电器系统总成 (图 11)	
ELECTRICAL SYSTEM ASSEMBLY (FIG.11)	37
电器系统总成 (图 11) 零件表	
ELECTRICAL SYSTEM ASSEMBLY (FIG.11) TABLE	38
十一、燃油系统总成、喷油泵总成、喷油器总成 (图 12)	
FUEL SYSTEM ASSEMBLY、FUFL INJECTION PUMP ASSEMBLY、FUEL INJECTOR ASSEMBLY (FIG.12)	43
燃油系统总成、喷油泵总成、喷油器总成 (图 12) 零件表	
FUEL SYSTEM ASSEMBLY、FUFL INJECTION PUMP ASSEMBLY、FUEL INJECTOR ASSEMBLY (FIG.12) TABLE	44
十二、离合器动力输出装置总成 (图 13)	
CLUTCH AND POWER TAKE-OFF ASSEMBLY (FIG.13)	47
离合器动力输出装置总成 (图 13) 零件表	
CLUTCH AND POWER TAKE-OFF ASSEMBLY (FIG.13) TABLE	48
十三、底座总成 (图 14)	
BASE FRAME ASSEMBLY (FIG.14)	49
底座总成 (图 14) 零件表	
BASE FRAME ASSEMBLY (FIG.14) TABLE	50

一、机体总成 (图1、图2)

CYLINDER BLOCK ASSEMBLY (FIG.1、 FIG.2)

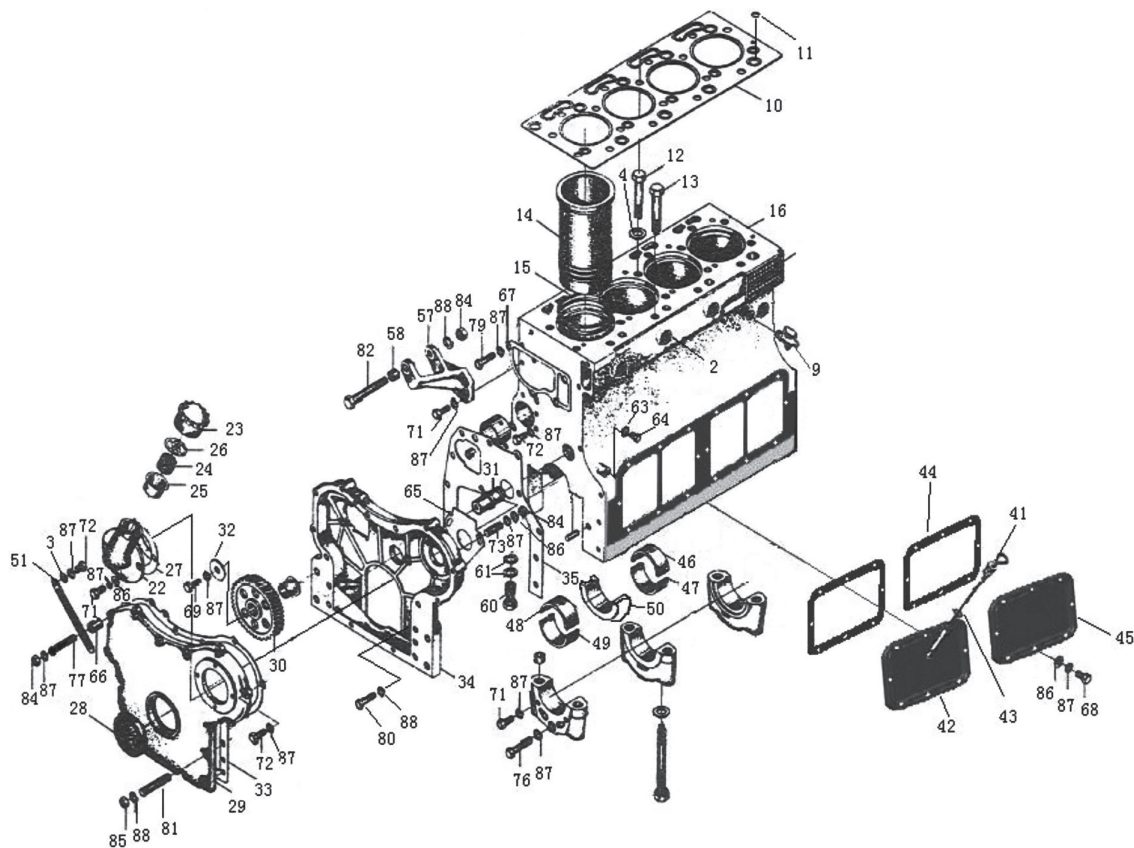


图1 机体总成

FIG.1 CYLINDER BLOCK ASSEMBLY

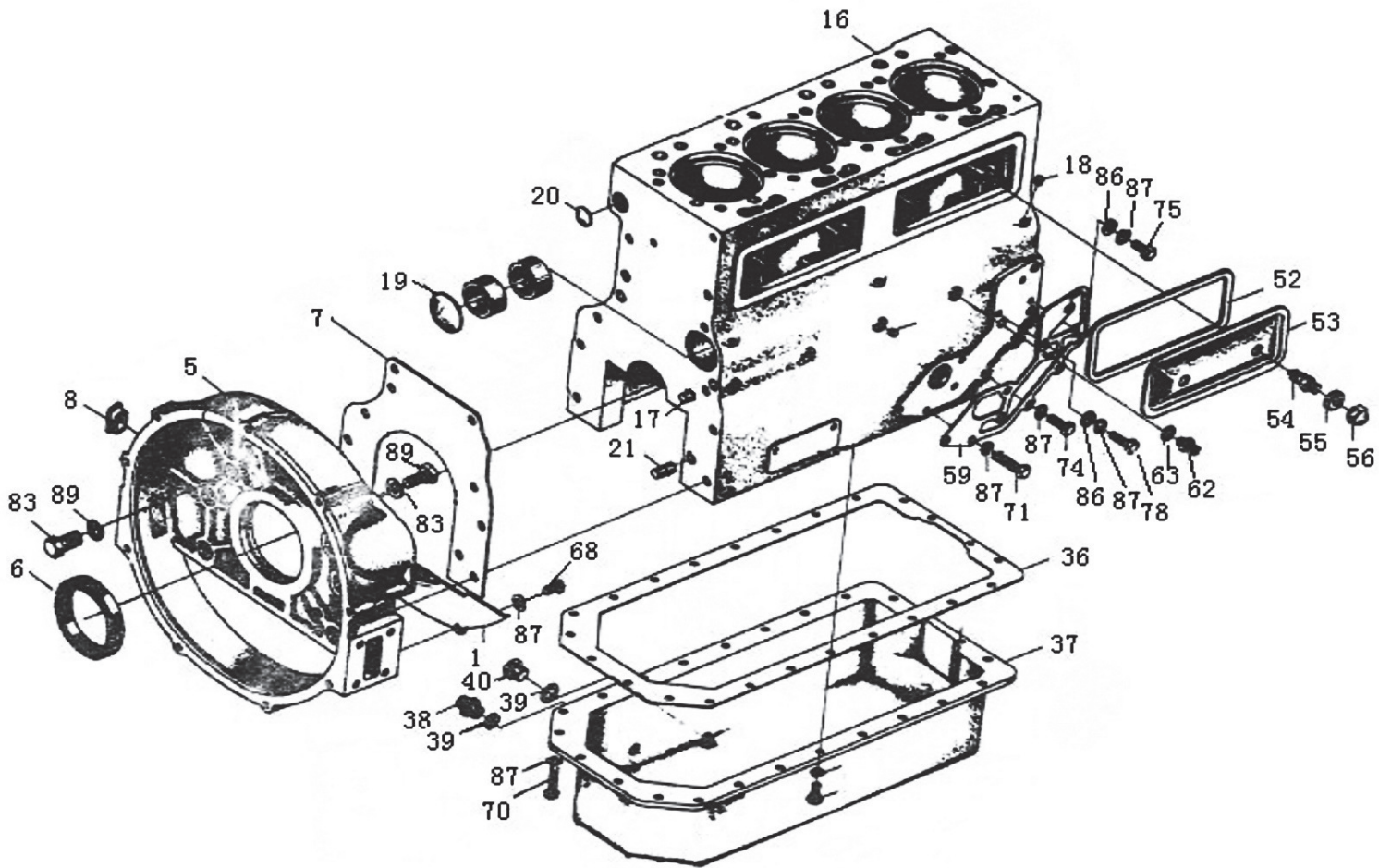


图2 机体总成
 FIG.2 CYLINDER BLOCK ASSEMBLY

机体总成 CYLINDER BLOCK ASSEMBLY

柴油机型号 Model				495P	ZH4100P	ZH4100P5	ZHAP					ZHBP1					
供货号 Delivery No.							P10	P10-1	P10-2	P10-3	P10-4	P10	P10-1	P10-2	P10-3	P10-4	P11
序号 Item	零件代号 Part No.	零件名称 Description		每台数量 Q'ty per set													
1	495-01036	盖板	Cover	1	1	1	1	1	1	1	1	1	1	1	1	1	1
2	R010106	进气管侧闷塞	Plug	4	4	4	4	4	4	4	4	4	4	4	4	4	4
3	R620006	加厚大垫圈	Washer	1	1	1	1	1	1	1	1	1	1	1	1	1	1
4	R010012	气缸盖螺栓垫圈	Washer,cylinder head bolt	18	18	18	18	18	18	18	18	18	18	18	18	18	18
5	495-01035W	飞轮外壳	Flywheel housing	1	1	1	1	1	1	1	1	1	1	1	1	1	1
6	495-01083	曲轴后油封	Rear oil seal, crankshaft	1	1	1	1	1	1	1	1	1	1	1	1	1	1
7	495-01013w	飞轮外壳垫片	Gasket,flywheel housing	1	1	1	1	1	1	1	1	1	1	1	1	1	1
8	495-01037	检查孔盖	Cover,inspection window	1	1	1	1	1	1	1	1	1	1	1	1	1	1
9	R020300	放水阀部件	Drain cock subassembly	1	1	1	1	1	1	1	1	1	1	1	1	1	1
10	495-01004W	气缸盖垫片	Cylinder head gasket	1													
	K4100-01002	气缸盖垫片	Cylinder head gasket		1	1	1	1	1	1	1	1	1	1	1	1	1
11	14× 2.4GB1235-76	O型橡胶密封圈	"O" seal ring	1	1	1	1	1	1	1	1	1	1	1	1	1	1
12	495-01001 (A)	气缸盖螺栓	Cylinder head bolt	14													
	ZH4100- 01001(A)	气缸盖螺栓	Cylinder head bolt		14	14	14	14	14	14	14	14	14	14	14	14	14

柴油机型号 Model						ZHAP					ZHBP1						
供货号 Delivery No.				495P	ZH4100P	ZH4100P5	P10	P10-1	P10-2	P10-3	P10-4	P10	P10-1	P10-2	P10-3	P10-4	P11
序号 Item	零件代号 Part No.	零件名称 Description		每台数量 Q'ty per set													
13	495-01003(A)	气缸盖螺栓 (短)	Cylinder head bolt	4													
	ZH4100-01003(A)	气缸盖螺栓 (短)	Cylinder head bolt		4	4	4	4	4	4	4	4	4	4	4	4	4
14	495-01005w	气缸套	Cylinder liner	4													
	K4100-01001	气缸套	Cylinder liner		4	4	4	4	4	4	4	4	4	4	4	4	4
15	495-01030	封水圈	"O" seal ring, cylinder liner	8													
	R020002	封水圈	"O" seal ring, cylinder liner		8	8	8	8	8	8	8	8	8	8	8	8	8
16	495-01100-JH	机体机械加工合件	Cylinder block subassembly	1													
	K4100-01100-JH	机体机械加工合件	Cylinder block subassembly		1	1	1	1	1	1	1						
	ZH4102-01100-JH	机体机械加工合件	Cylinder block subassembly									1	1	1	1	1	1
17	495-01102W	主油道堵塞	Plug	2	2	2	2	2	2	2	2	2	2	2	2	2	2
18	495-01103W	堵塞	Plug	6	6	6	6	6	6	6	6	6	6	6	6	6	6
19	495-01104	凸轮轴孔堵片	Plug,camshaft bore	1	1	1	1	1	1	1	1	1	1	1	1	1	1
20	495-01114	堵片	Plug	1	1	1	1	1	1	1	1	1	1	1	1	1	1
21	B12×30GB119	圆柱销	Dowel pin	4	4	4	4	4	4	4	4	4	4	4	4	4	4

柴油机型号 Model				495P	ZH4100P	ZH4100P5	ZHAP					ZHBPI					
供货号 Delivery No.							P10	P10-1	P10-2	P10-3	P10-4	P10	P10-1	P10-2	P10-3	P10-4	P11
序号 Item	零件代号 Part No.	零件名称 Description		每台数量 Qty per set													
22	495-01501	加油弯管	Elbow, oil filler	1	1	1	1	1	1	1	1	1	1	1	1	1	1
23	495-01503	呼吸器盖	Cover, breather	1	1	1	1	1	1	1	1	1	1	1	1	1	1
24	495-01506	钢丝网	Screen	1	1	1	1	1	1	1	1	1	1	1	1	1	1
25	495-01502	呼吸器筒	Breather tube	1	1	1	1	1	1	1	1	1	1	1	1	1	1
26	495-01504	呼吸器筒垫片	Plate, breather tube	1	1	1	1	1	1	1	1	1	1	1	1	1	1
27	495-01019	加油口垫片	Gasket, oil filler	1	1	1	1	1	1	1	1	1	1	1	1	1	1
28	495-01082	曲轴前油封	Front oil seal, crankshaft	1	1	1	1	1	1	1	1	1	1	1	1	1	1
29	495-01018W	齿轮室盖板	Gear case cover	1	1	1	1	1	1	1	1	1	1	1	1	1	1
30	495-01210	惰齿轮机械 加工合件	Idler gear	1	1	1	1	1	1	1	1	1	1	1	1	1	1
31	495-01201	惰齿轮轴	Idler gear shaft	1	1	1	1	1	1	1	1	1	1	1	1	1	1
32	495-01202	齿轮档圈	Thrust plate, idler gear	1	1	1	1	1	1	1	1	1	1	1	1	1	1
33	495-01015W	齿轮室盖垫片	Gasket, gear case cover	1	1	1	1	1	1	1	1	1	1	1	1	1	1
34	495-01016W	齿轮室	Gear case	1	1	1	1	1	1	1	1	1	1	1	1	1	1

柴油机型号 Model				495P	ZH4100P	ZH4100P5	ZHAP					ZHBP1					
供货号 Delivery No.							P10	P10-1	P10-2	P10-3	P10-4	P10	P10-1	P10-2	P10-3	P10-4	P11
序号 Item	零件代号 Part No.	零件名称 Description		每台数量 Q'ty per set													
35	495-01017	齿轮室垫片	Gasket,gear case	1	1	1	1	1	1	1	1	1	1	1	1	1	1
36	495-01012(b)	油底垫片	Gasket,oil sump	1	1	1	1	1	1	1	1	1	1	1	1	1	1
37	ZH4102G4-01400-JH	油底分部件结合件	Oil sump subassembly	1	1	1											
	K4102D-01400-JH	油底分部件结合件	Oil sump subassembly				1	1	1	1	1	1	1	1	1	1	1
38	495-01402(D)	温度表接头	Adapter, temperature gauge	1	1	1											
	495-01402(A)	温度表接头	Adapter, temperature gauge				1	1	1	1	1	1	1	1	1	1	1
39	495-01403-1	垫圈	Washer	3	3	3	2	2	2	2	2	2	2	2	2	2	2
40	495-01411-A	放油螺塞	Oil drain plug	1	1	1	1	1	1	1	1	1	1	1	1	1	1
	495-01411(b)	放油螺塞	Oil drain plug	1	1	1											
41	495-01310	油标尺焊接件	Dipstick subassembly	1	1	1	1	1	1	1	1	1	1	1	1	1	1
42	495-01320-1	油标尺侧盖板焊接件	Side cover subassembly with dipstick tube	1	1	1	1	1	1	1	1	1	1	1	1	1	1
43	13 × 1.9GB1235	O 型橡胶密封圈	"O" seal ring	1	1	1	1	1	1	1	1	1	1	1	1	1	1

柴油机型号 Model						ZHAP					ZHBP1					
供货号 Delivery No.		495P	ZH4100P	ZH4100P5	P10	P10-1	P10-2	P10-3	P10-4	P10	P10-1	P10-2	P10-3	P10-4	P11	
序号 Item	零件代号 Part No.	零件名称 Description		每台数量 Q'ty per set												
44	495-01011W	下侧盖板垫片	Gasket, lower side cover	2	2	2	2	2	2	2	2	2	2	2	2	
45	495-01014W	下侧盖板	Lower side cover	1	1	1	1	1	1	1	1	1	1	1	1	
46	495-01006	中间主轴承上瓦	Upper half, middle main bearing	3	3	3	3	3	3	3	3	3	3	3	3	
47	495-01007	中间主轴承下瓦	Lower half, middle lower main bearing	3	3	3	3	3	3	3	3	3	3	3	3	
48	495-01008	前后主轴承上瓦	Upper half, front & rear main bearing	2	2	2	2	2	2	2	2	2	2	2	2	
49	495-01009	前后主轴承下瓦	Lower half, front & rear main bearing	1	1	1	1	1	1	1	1	1	1	1	1	
50	495-01009A	后主轴承止推下瓦	Lower half, rear thrust bearing	1	1	1	1	1	1	1	1	1	1	1	1	
51	495-01026W	硅整流发电机调整架	Adjusting barcket, charging alternator	1	1	1	1	1	1	1	1	1	1	1	1	
52	495-01024(h)	侧盖板垫片	Gasket, upper side cover	2	2	2	2	2	2	2	2	2	2	2	2	
53	495-01023(h)	上侧盖板	Upper side cover	2	2	2	2	2	2	2	2	2	2	2	2	
54	495-01067	螺柱	Stud	4	4	4	4	4	4	4	4	4	4	4	4	
55	R020019	密封垫圈	Washer	4	4	4	4	4	4	4	4	4	4	4	4	
56	M10GB923-Zn.D	盖形螺母	Acorn nut	4	4	4	4	4	4	4	4	4	4	4	4	

柴油机型号 Model				ZHAP			ZHBP1									
供货号 Delivery No.		495P	ZH4100P	ZH4100P5	P10	P10-1	P10-2	P10-3	P10-4	P10	P10-1	P10-2	P10-3	P10-4	P11	
序号 Item	零件代号 Part No.	零件名称 Description		每台数量 Q'ty per set												
57	495-01025	发电机支架	Bracket, charging alternator	1	1					1					1	
	495K1-01025	发电机支架	Bracket, charging alternator			1	1	1	1	1		1	1	1	1	1
58	495-01049W	套	Spacer	1	1	1	1	1	1	1	1	1	1	1	1	1
59	495-01021-1	机滤连接板垫片	Gasket, oil filter connecting plate	1	1	1	1	1	1	1	1	1	1	1	1	1
60	495-01032	空心螺栓	Banjo bolt	1	1	1	1	1	1	1	1	1	1	1	1	1
61	495-01028	垫圈	Washer	2	2	2	2	2	2	2	2	2	2	2	2	2
62	495-01029(A)	油管接头	Adapter,oil pipe	1	1	1	1	1	1	1	1	1	1	1	1	1
63	495-01022	垫圈	Washer	2	2	2	2	2	2	2	2	2	2	2	2	2
64	495-01038	堵塞	Plug	1	1	1	1	1	1	1	1	1	1	1	1	1
65	495-01034	垫片	Gasket,fuel injection pump	1	1	1	1	1	1	1						
	ZH4100G2-5-01034	油泵垫片	Gasket,fuel injection pump									1	1	1	1	1
66	495-01048W	套	Spacer	1	1					1					1	
	495K1-01089(A)	套	Spacer			1	1	1	1	1		1	1	1	1	1

柴油机型号 Model								ZHAP					ZHBP1						
供货号 Delivery No.				495P	ZH4100P	ZH4100P5			P10	P10-1	P10-2	P10-3	P10-4	P10	P10-1	P10-2	P10-3	P10-4	P11
序号 Item	零件代号 Part No.	零件名称 Description		每台数量 Q'ty per set															
67	495-01027	水泵座垫片	Gasket, water pump	1	1	1	1	1	1	1	1	1	1	1	1	1	1	1	1
68	M8×16GB5783	全螺纹六角头螺栓	Full thread hex bolt	18	18	18	18	18	18	18	18	18	18	18	18	18	18	18	18
69	M8×18GB5783	全螺纹六角头螺栓	Full thread hex bolt	1	1	1	1	1	1	1	1	1	1	1	1	1	1	1	1
70	M8×20GB5783	全螺纹六角头螺栓	Full thread hex bolt	24	24	24	24	24	24	24	24	24	24	24	24	24	24	24	24
71	M8×22GB5783	全螺纹六角头螺栓	Full thread hex bolt	13	13	13	13	13	13	13	13	13	13	13	13	13	13	13	13
72	M8×25GB5783	全螺纹六角头螺栓	Full thread hex bolt	12	12	13	13	13	13	13	13	13	13	13	13	13	13	13	13
73	M8×25GB898-H.Y	双头螺柱	Stud	3	3	3	3	3	3	3	3								
	M8×30GB898-H.Y	双头螺柱	Stud										3	3	3	3	3	3	
74	M8×30GB5783	全螺纹六角头螺栓	Full thread hex bolt	2	2	2	2	2	2	2	2	2	2	2	2	2	2	2	2
75	M8×40GB5783	全螺纹六角头螺栓	Full thread hex bolt	1	1	1	1	1	1	1	1	1	1	1	1	1	1	1	1
76	M8×55GB5782	六角头螺栓	Hex bolt	1	1	1	1	1	1	1	1	1	1	1	1	1	1	1	1
77	M8×60GB898-HY	双头螺柱	Stud	1	1							1						1	
78	M8×60GB5782	六角头螺栓	Hex bolt	1	1	1	1	1	1	1	1	1	1	1	1	1	1	1	1

柴油机型号 Model				495P	ZH4100P	ZH4100P5	ZHAP					ZHBP1						
供货号 Delivery No.							P10	P10-1	P10-2	P10-3	P10-4	P10	P10-1	P10-2	P10-3	P10-4	P11	
序号 Item	零件代号 Part No.	零件名称 Description		每台数量 Q'ty per set														
79	M8 × 70GB5782	六角头螺栓	Hex bolt	4	4	4	4	4	4	4	4	4	4	4	4	4	4	4
80	M10 × 30GB5783	全螺纹六角头螺栓	Full thread hex bolt	4	4	4	4	4	4	4	4	4	4	4	4	4	4	4
81	M10 × 70GB898-HY	双头螺柱	Stud	8	8	8	8	8	8	8	8	8	8	8	8	8	8	8
82	M10 × 95GB5782	六角头螺栓	Hex bolt	1	1	1	1	1	1	1	1	1	1	1	1	1	1	1
83	M12 × 30GB5783	全螺纹六角头螺栓	Full thread hex bolt	10	10	10	10	10	10	10	10	10	10	10	10	10	10	10
84	M8GB6170-Zn.D	六角螺母	Hex nut	4	4	3	3	3	3	3	4	3	3	3	3	4	3	
85	M10GB6170-Zn.D	六角螺母	Hex nut	9	9	9	9	9	9	9	9	9	9	9	9	9	9	9
86	8GB848-140HV-Zn.D	小垫圈	Small washer	27	27	27	27	27	27	27	27	27	27	27	27	27	27	27
87	8GB93	弹簧垫圈	Spring washer	81	81	81	81	81	81	81	81	81	81	81	81	81	81	81
88	10GB93	弹簧垫圈	Spring washer	13	13	13	13	13	13	13	13	13	13	13	13	13	13	13
89	12GB93	弹簧垫圈	Spring washer	10	10	10	10	10	10	10	10	10	10	10	10	10	10	10

二、凸轮轴总成 (图3)
CAMSHAFT ASSEMBLY (FIG.3)

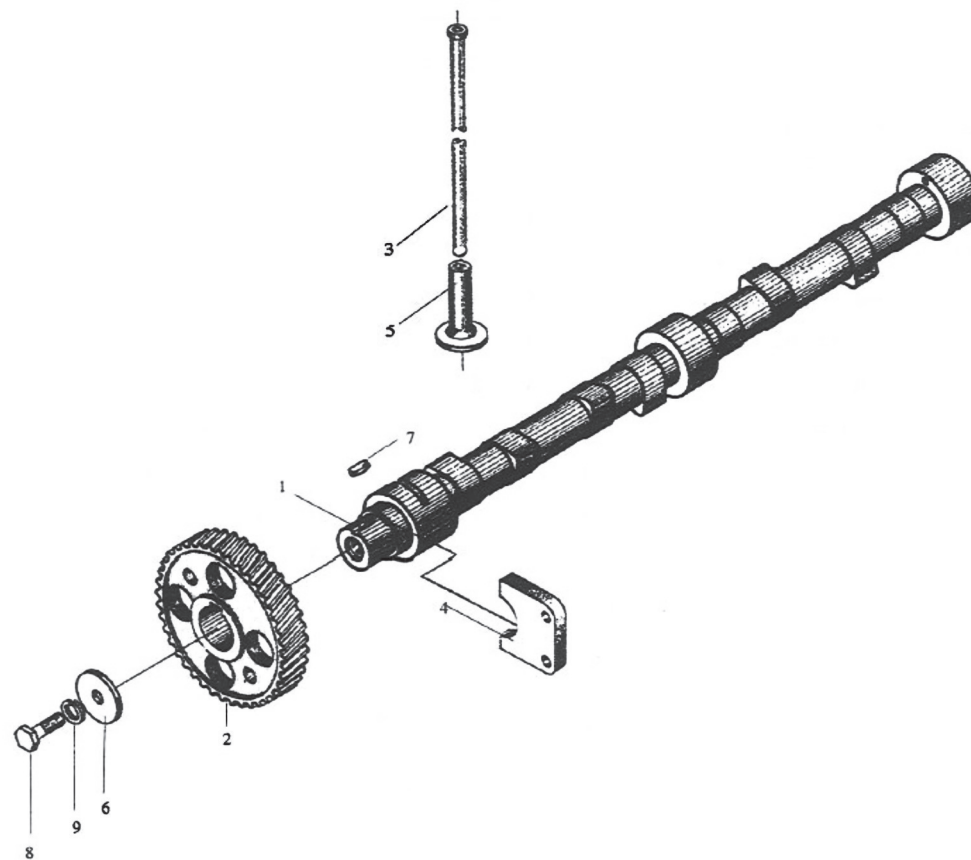


图3 凸轮轴总成
FIG.3 CAMSHAFT ASSEMBLY

凸轮轴总成 CAMSHAFT ASSEMBLY

柴油机型号 Model				ZHAP					ZHBP1							
供货号 Delivery No.		495P	ZH4100P	ZH4100P5	P10	P10-1	P10-2	P10-3	P10-4	P10	P10-1	P10-2	P10-3	P10-4	P11	
序号 Item	零件代号 Part No.	零件名称 Description		每台数量 Q'ty per set												
1	495-02001(C)	凸轮轴	Camshaft	1	1	1	1	1	1	1	1	1	1	1	1	1
2	495-02002	凸轮轴正时齿轮	Timing gear, camshaft	1	1	1	1	1	1	1	1	1	1	1	1	1
3	495-02003(B)	气门推杆	Pushrod	8												
	ZH4100-02001	气门推杆	Pushrod		8	8	8	8	8	8	8	8	8	8	8	8
4	495-02004	凸轮轴止推板	Thrust plate,camshaft	1	1	1	1	1	1	1	1	1	1	1	1	1
5	495-02005	气门挺柱	Tappet	8	8	8	8	8	8	8	8	8	8	8	8	8
6	495-01202	齿轮档圈	Retainer plate, gear	1	1	1	1	1	1	1	1	1	1	1	1	1
7	8×22GB1096	平键	Flat key	1	1	1	1	1	1	1	1	1	1	1	1	1
8	M8×30GB5783	全螺纹六角头螺栓	Full thread hex bolt	1	1	1	1	1	1	1	1	1	1	1	1	1
9	8GB93	弹簧垫圈	Spring washer	1	1	1	1	1	1	1	1	1	1	1	1	1

三、气缸盖总成 (图4)

CYLINDER HEAD ASSEMBLY (FIG.4)

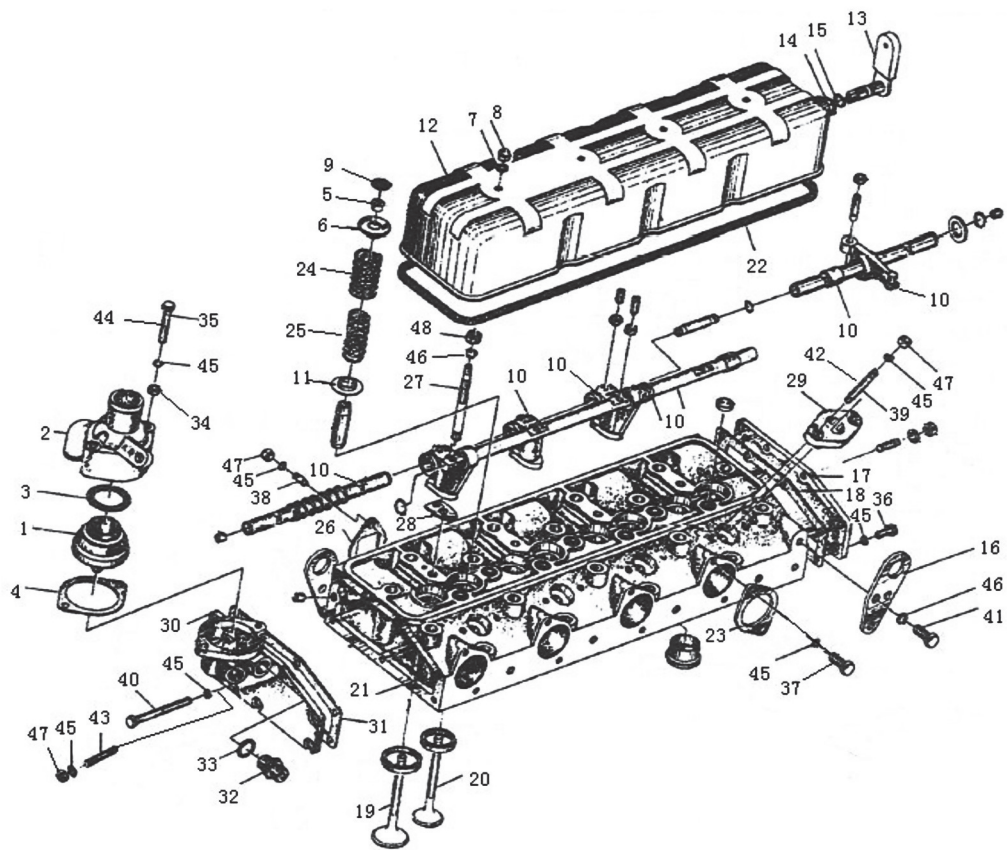


图4 气缸盖总成

FIG.4 CYLINDER HEAD ASSEMBLY

气缸盖总成 CYLINDER HEAD ASSEMBLY

柴油机型号 Model						ZHAP					ZHBP1					
供货号 Delivery No.		495P	ZH4100P	ZH4100P5	P10	P10-1	P10-2	P10-3	P10-4	P10	P10-1	P10-2	P10-3	P10-4	P11	
序号 Item	零件代号 Part No.	零件名称 Description		每台数量 Q'ty per set												
1	495-03004(B)	154 型蜡式调温器	Thermostat subassembly	1	1	1	1	1	1	1	1	1	1	1	1	1
2	495-03011	节温器盖	Thermostat housing	1												
	495ZD-03031	节温器盖	Thermostat housing		1	1	1	1	1	1	1	1	1	1	1	1
3	495-03018	节温器密封环	Seal ring	1	1	1	1	1	1	1	1	1	1	1	1	1
4	495-03012	节温器盖垫片	Gasket, thermostat housing	2	1	1	1	1	1	1	1	1	1	1	1	1
5	ZH4100-03006	气门锁夹	Valve lock	8	8	8	8	8	8	8	8	8	8	8	8	8
6	495-03005	气门弹簧座	Seat, valve spring	8	8	8	8	8	8	8	8	8	8	8	8	8
7	ZH4100-03264	密封垫圈	Composite washer	4	4	4	4	4	4	4	4	4	4	4	4	4
8	495-03031	盖形螺母	Acorn nut	4	4	4	4	4	4	4	4	4	4	4	4	4
9	495-03024	气门油封	Valve oil seal	8	8	8	8	8	8	8	8	8	8	8	8	8
10	495-03300	摇臂座部件	Rocker arm seat subassembly	1												
	ZH4100-03300	摇臂座部件	Rocker arm seat subassembly		1	1	1	1	1	1	1	1	1	1	1	1
11	495-03007	气门弹簧下座	Lower seat, valve spring	8	8	8	8	8	8	8	8	8	8	8	8	8

柴油机型号 Model						ZHAP					ZHBP1						
供货号 Delivery No.				495P	ZH4100P	ZH4100P5	P10	P10-1	P10-2	P10-3	P10-4	P10	P10-1	P10-2	P10-3	P10-4	P11
序号 Item	零件代号 Part No.	零件名称 Description		每台数量 Q'ty per set													
12	495-03210(A) W	缸盖罩部件	Cylinder head cover subassembly	1													
	495D-3-03210	缸盖罩焊接件	Cylinder head cover subassembly		1	1	1	1	1	1	1	1	1	1	1	1	1
13	495-03220	减压连接轴合件		1													
14	14GB894.1	挡圈	Circlips for shaft	1													
15	14×2.4GB1235-76	O型橡胶密封圈	"O" seal ring	1													
16	495-03006W	吊耳	Lifting ring	2	2	2	2	2	2	2	2	2	2	2	2	2	2
17	495-03001	缸盖后盖板	Rear cover,cylinder head	1	1	1	1	1	1	1	1	1	1	1	1	1	1
18	495-03002	前后盖板垫片	Gasket, front&rear cylinder head cover	2	1	1	1	1	1	1	1	1	1	1	1	1	1
19	495-03019(b)	排气门	Exhaust valve	4													
	ZH4100-03005	排气门	Exhaust valve		4	4	4	4	4	4	4	4	4	4	4	4	4
20	495-03020(b)	进气门	Intake valve	4													
	ZH4100-03004	进气门	Intake valve		4	4	4	4	4	4	4	4	4	4	4	4	4

柴油机型号 Model		495P	ZH4100P	ZH4100P5	ZHAP					ZHBP1						
供货号 Delivery No.					P10	P10-1	P10-2	P10-3	P10-4	P10	P10-1	P10-2	P10-3	P10-4	P11	
序号 Item	零件代号 Part No.	零件名称 Description		每台数量 Q'ty per set												
21	495-03100-JH	气缸盖结合件	Cylinder head subassembly	1												
	ZH4100-03100-JH	气缸盖结合件	Cylinder head subassembly		1	1	1	1	1	1	1	1	1	1	1	1
22	ZH4100-03261	缸盖罩密封圈	Gasket, cylinder head cover	1	1	1	1	1	1	1	1	1	1	1	1	1
23	495-03017	进气管垫片	Gasket, intake manifold	4												
	ZH4100-03002	进气管垫片	Gasket, intake manifold		4	4	4	4	4	4	4	4	4	4	4	4
24	495-03013	气门外弹簧	Outer spring, valve	8	8	8	8	8	8	8	8	8	8	8	8	8
25	495-03014	气门内弹簧	Inner spring, valve	8	8	8	8	8	8	8	8	8	8	8	8	8
26	495-03009	排气管垫片	Gasket, exhaust manifold	4	4	4	4	4	4	4	4	4	4	4	4	4
27	495-03003-1	摇臂座螺栓	Stud, rocker arm seat	4	4	4	4	4	4	4	4	4	4	4	4	4
28	495-03021W	摇臂座垫片	Gasket, rocker arm seat	4	4	4	4	4	4	4	4	4	4	4	4	4
29	495-03016	喷油器压板	Clamp plate,injector	4												
30	495-03008	缸盖前盖板	Front cover, cylinder head	1												
	ZH4100-03008	缸盖前盖板	Front cover, cylinder head		1	1	1	1	1	1	1	1	1	1	1	1

柴油机型号 Model		495P	ZH4100P	ZH4100P5	ZHAP					ZHBP1							
供货号 Delivery No.					P10	P10-1	P10-2	P10-3	P10-4	P10	P10-1	P10-2	P10-3	P10-4	P11		
序号 Item	零件代号 Part No.	零件名称 Description	每台数量 Q'ty per set														
31	ZH4100-03003	缸盖前盖板垫片	Gasket,cylinder head front cover		1	1	1	1	1	1	1	1	1	1	1	1	1
32	495-01402(D)	温度表接头	Adapter,temperature gauge	1	1	1											
	495-01402(A)	温度表接头	Adapter,temperature gauge				1	1	1	1	1	1	1	1	1	1	1
33	495-01403	垫圈	Washer	1	1	1	1	1	1	1	1	1	1	1	1	1	1
34	R620006	加厚大垫圈	Plain washer				1	1	1	1	1	1	1	1	1	1	1
35	M8×50GB5783	全螺纹六角头螺栓	Full thread hex bolt	2	2	2	2	2	2	2	2	2	2	2	2	2	2
36	M8×20GB5783	全螺纹六角头螺栓	Full thread hex bolt	12	10	10	10	10	10	10	10	10	10	10	10	10	10
37	M8×25GB5783	全螺纹六角头螺栓	Full thread hex bolt	8	8	8	8	8	8	8	8	8	8	8	8	8	8
38	M8×25GB898-HY	双头螺栓	Stud	8	8	8	8	8	8	8	8	8	8	8	8	8	8
39	M8×60GB898-HY	双头螺栓	Stud	8													
40	M8×85GB5782	六角头螺栓	Hex bolt	2	1						1					1	
41	M10x22GB5783	全螺纹六角螺栓	Full thread hex bolt	4	4	4	4	4	4	4	4	4	4	4	4	4	4

柴油机型号 Model				495P			ZH4100P			ZH4100P5			ZHAP					ZHBP1					
供货号 Delivery No.													P10	P10-1	P10-2	P10-3	P10-4	P10	P10-1	P10-2	P10-3	P10-4	P11
序号 Item	零件代号 Part No.	零件名称 Description		每台数量 Q'ty per set																			
42	M8 × 45GB898-HY	双头螺栓	Stud		8	8	8	8	8	8	8	8	8	8	8	8	8	8	8	8	8	8	8
43	M8 × 95GB898-HY	双头螺栓	Stud			1	1	1	1	1			1	1	1	1		1	1	1	1		1
44	M8 × 60GB5783	全螺纹六角头螺栓	Full thread hex bolt				1	1	1	1	1	1	1	1	1	1	1	1	1	1	1	1	1
45	8GB93	弹簧垫圈	Spring washer	48	45	45	45	45	45	45	45	45	45	45	45	45	45	45	45	45	45	45	45
46	10GB93	弹簧垫圈	Spring washer	8	8	8	8	8	8	8	8	8	8	8	8	8	8	8	8	8	8	8	8
47	M8GB6170-Zn.D	六角螺母	Hex nut	16	16	17	17	17	17	17	17	16	17	17	17	17	17	17	17	17	17	16	17
48	M10GB6170-Zn.D	六角螺母	Hex nut	4	4	4	4	4	4	4	4	4	4	4	4	4	4	4	4	4	4	4	4

四、活塞连杆总成 (图 5)

PISTON AND CONNECTING ROD ASSEMBLY (FIG.5)

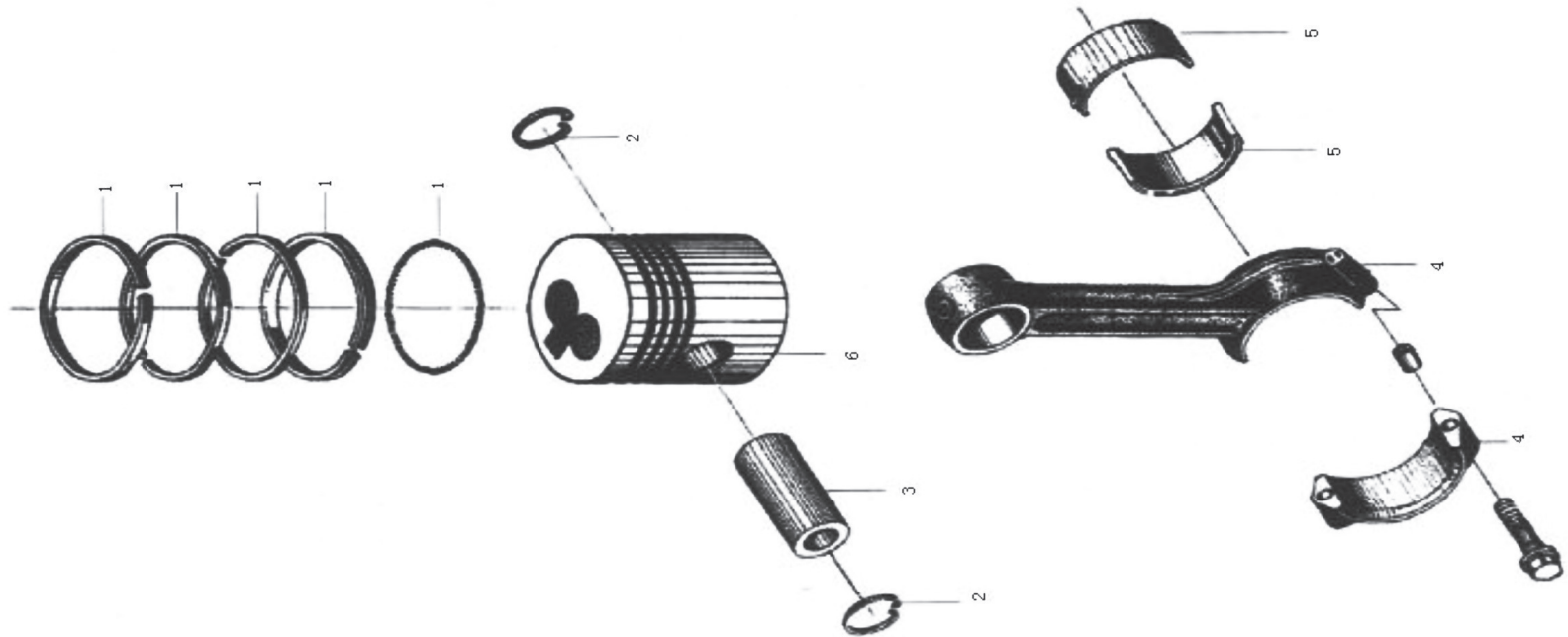


图 5 活塞连杆总成

FIG.5 PISTON AND CONNECTING ROD ASSEMBLY

活塞连杆总成 PISTON AND CONNECTING ROD ASSEMBLY

柴油机型号 Model				495P	ZH4100P	ZH4100P5	ZHAP					ZHBP1				
供货号 Delivery No.							P10	P10-1	P10-2	P10-3	P10-4	P10	P10-1	P10-2	P10-3	P10-4
序号 Item	零件代号 Part No.	零件名称 Description		每台数量 Q'ty per set												
1	495-04003-JH	活塞环结合件	Piston ring	4												
	K4100-04003-JH	活塞环结合件	Piston ring		4	4	4	4	4	4	4					
	ZH4102A-04003-JH	活塞环结合件	Piston ring								4	4	4	4	4	4
2	35GB893.1	孔用弹性挡圈	Circlip for hole	8	8	8	8	8	8	8	8	8	8	8	8	8
3	495-04005W	活塞销	Piston pin	4	4	4	4	4	4	4	4					
	ZH4102A-04002	活塞销	Piston pin								4	4	4	4	4	4
4	495-04100	连杆机械加工部件	Connecting rod subassembly	4	4	4	4	4	4	4	4	4	4	4	4	4
5	495-04010	连杆轴瓦	Connecting rod bearing	4	4	4	4	4	4	4	4					
	K4100ZD-04010	连杆轴瓦	Connecting rod bearing								4	4	4	4	4	4
6	495-04004W	活塞	Piston	4												
	ZH4100-04001	活塞	Piston		4	4	4	4	4	4	4					
	ZH4102-04001	活塞	Piston								4	4	4	4	4	4

五、曲轴飞轮总成 (图6)

CRANKSHAFT AND FLYWHEEL ASSEMBLY (FIG.6)

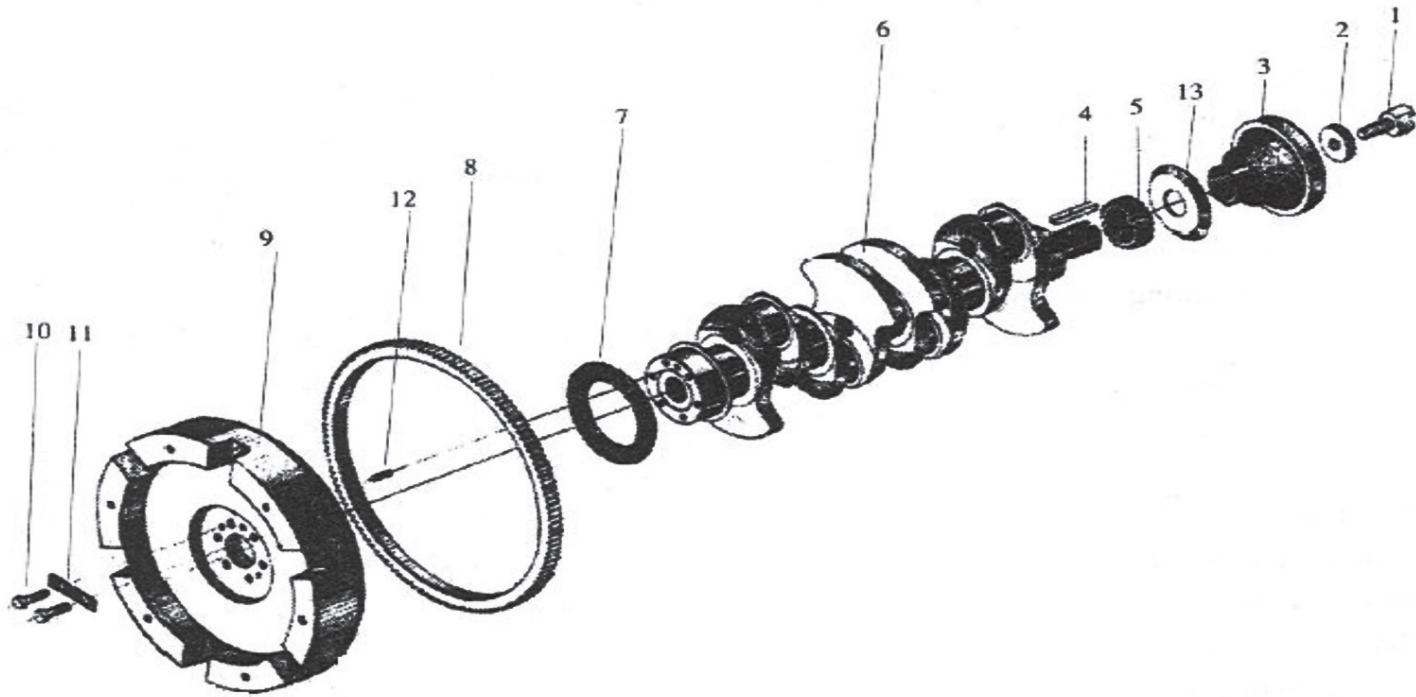


图6 曲轴飞轮总成

FIG.6 CRANKSHAFT AND FLYWHEEL ASSEMBLY

曲轴飞轮总成 CRANKSHAFT AND FLYWHEEL ASSEMBLY

柴油机型号 Model		495P	ZH4100P	ZH4100P5	ZHAP					ZHBP1							
					P10	P10-1	P10-2	P10-3	P10-4	P10	P10-1	P10-2	P10-3	P10-4	P11		
供货号 Delivery No.																	
序号 Item	零件代号 Part No.	零件名称 Description		每台数量 Q'ty per set													
1	495-05001-1	起动螺钉	Starting dog	1	1	1	1	1	1	1	1	1	1	1	1	1	1
2	495-05002	曲轴起动爪垫圈	Retainer plate, starting dog	1	1	1	1	1	1	1	1	1	1	1	1	1	1
3	495-05003	曲轴皮带轮	Pulley, crankshaft	1	1	1	1	1	1	1	1	1	1	1	1	1	1
4	B10×50GB1096	普通平键	Flat key	1	1	1	1	1	1	1	1	1	1	1	1	1	1
5	495-05006	曲轴正时齿轮	Timing gear, crankshaft	1	1	1	1	1	1	1	1	1	1	1	1	1	1
6	495-05007W	曲轴	Crankshaft	1	1	1	1	1	1	1	1	1	1	1	1	1	1
7	495-05008	后挡油圈	Rear oil baffle	1	1	1	1	1	1	1	1	1	1	1	1	1	1
8	495-05009	飞轮齿圈	Ring gear, flywheel	1	1	1	1	1	1	1	1	1	1	1	1	1	1
9	495G-05010	飞轮	Flywheel	1	1	1	1	1	1	1	1	1	1	1	1	1	1
10	495-05004W	飞轮紧固螺栓	Flywheel bolt	6	6	6	6	6	6	6	6	6	6	6	6	6	6
11	495-05011	防松垫片	Locking plate	3	3	3	3	3	3	3	3	3	3	3	3	3	3
12	B10×25GB119	圆柱销	Dowel pin	1	1	1	1	1	1	1	1	1	1	1	1	1	1
13	495-05005	前挡油圈	Front oil baffle	1	1	1	1	1	1	1	1	1	1	1	1	1	1

六、冷却系统总成 (图7)

COOLING SYSTEM ASSEMBLY (FIG.7)

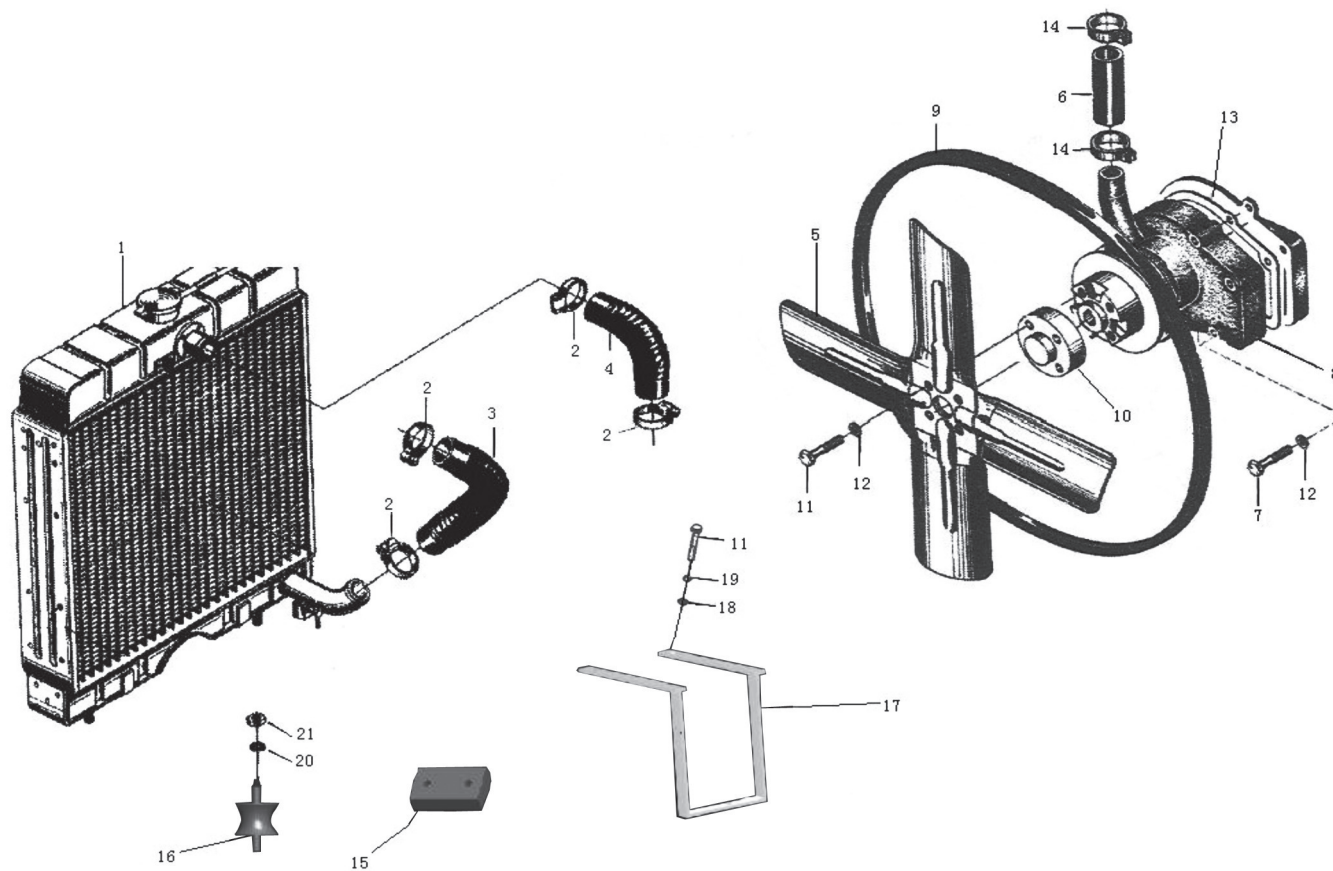


图7 冷却系统总成
FIG.7 COOLING SYSTEM ASSEMBLY

冷却系统总成 COOLING SYSTEM ASSEMBLY

柴油机型号 Model				ZHAP					ZHBP1							
供货号 Delivery No.		495P	ZH4100P	ZH4100P5	P10	P10-1	P10-2	P10-3	P10-4	P10	P10-1	P10-2	P10-3	P10-4	P11	
序号 Item	零件代号 Part No.	零件名称 Description		每台数量 Q'ty per set												
1	K4100G-06400	水箱组件	Radiator subassembly	1	1	1										
	ZH4102P3-06400	水箱	Radiator subassembly				1	1		1	1	1			1	1
	ZH4102P3-06400-1	水箱	Radiator subassembly						1	1			1	1		
2	495-06200	紧固圈组件	Hose clamp subassembly	4	4	4	1	1	1	1	1	1	1	1	1	1
3	495-06002-A	水箱进水胶管	Water in rubber hose, radiator	1	1	1	1	1	1	1	1	1	1		1	1
	495-06002W	水箱进水胶管	Water in rubber hose, radiator						1					1		
4	495ZD-06006-A	水箱出水胶管	Water out rubber hose,radiator	1	1	1	1	1	1	1	1	1	1		1	1
	495ZD-06006	水箱出水胶管	Water out rubber hose,radiator						1					1		
5	495-06120(B)	风扇组件	Fan subassembly	1	1	1	1	1	1	1	1	1	1	1	1	1

柴油机型号 Model		495P	ZH4100P	ZH4100P5	ZHAP					ZHBP1							
供货号 Delivery No.					P10	P10-1	P10-2	P10-3	P10-4	P10	P10-1	P10-2	P10-3	P10-4	P11		
序号 Item	零件代号 Part No.	零件名称 Description	每台数量 Q'ty per set														
6	495-06101	水泵小循环胶管	Rubber hose, water pump	1	1	1	1	1	1	1	1	1	1	1	1	1	1
7	M8 × 45GB5782	六角头螺栓	Hex bolt	2	2	2	2	2	2	2	2	2	2	2	2	2	2
8	495D-06150-JH	水泵组件结合件	Water pump subassembly	1	1	1	1	1	1	1	1	1	1	1	1	1	1
9	B × 1168 GB1171	三角胶带		1	1	1	1	1	1	1	1	1	1	1	1	1	1
10	ZH4100G1-3- 06119-A	风扇垫块	Fan spacer	1	1	1	1	1	1	1	1	1	1	1	1	1	1
11	M8 × 30GB5783	全螺纹六角头螺栓	Full thread hex bolt	4	4	4	6	6	6	6	6	6	6	6	6	6	6
12	8GB93	弹簧垫圈	Spring washer	6	6	6	6	6	6	6	6	6	6	6	6	6	6
13	495-06102	水泵垫片	Gasket, water pump	1	1	1	1	1	1	1	1	1	1	1	1	1	1
14	R530300	胶管夹箍	Hose clamp subassembly	2	2	2	2	2	2	2	2	2	2	2	2	2	2
15	4102D-06700	减震器	AVM pad				2			2	2	2			2	2	

柴油机型号 Model				495P	ZH4100P	ZH4100P5	ZHAP					ZHBP1					
供货号 Delivery No.							P10	P10-1	P10-2	P10-3	P10-4	P10	P10-1	P10-2	P10-3	P10-4	P11
序号 Item	零件代号 Part No.	零件名称 Description		每台数量 Q'ty per set													
16	ZH4102P3-06410-A	减震器	AVM pad					4	4				4	4			4
17	ZH4102P-06007-A	水箱加固支架	Fixing bracket, radiator					1	1	1	1	1	1	1	1	1	1
18	ZH4102P-06008	胶垫	Rubber cushion					2	2	2	2	2	2	2	2	2	2
19	R620006	加厚大垫圈	plain washer					2	2	2	2	2	2	2	2	2	2
20	12GB848-140HV -Zn.D	小垫圈	Small washer						8	8				8	8		8
21	M12GB6170-Zn.D	六角螺母	Hex nut						8	8				8	8		8

七、进气系统总成 (图 8)

AIR INTAKE SYSTEM ASSEMBLY (FIG.8)

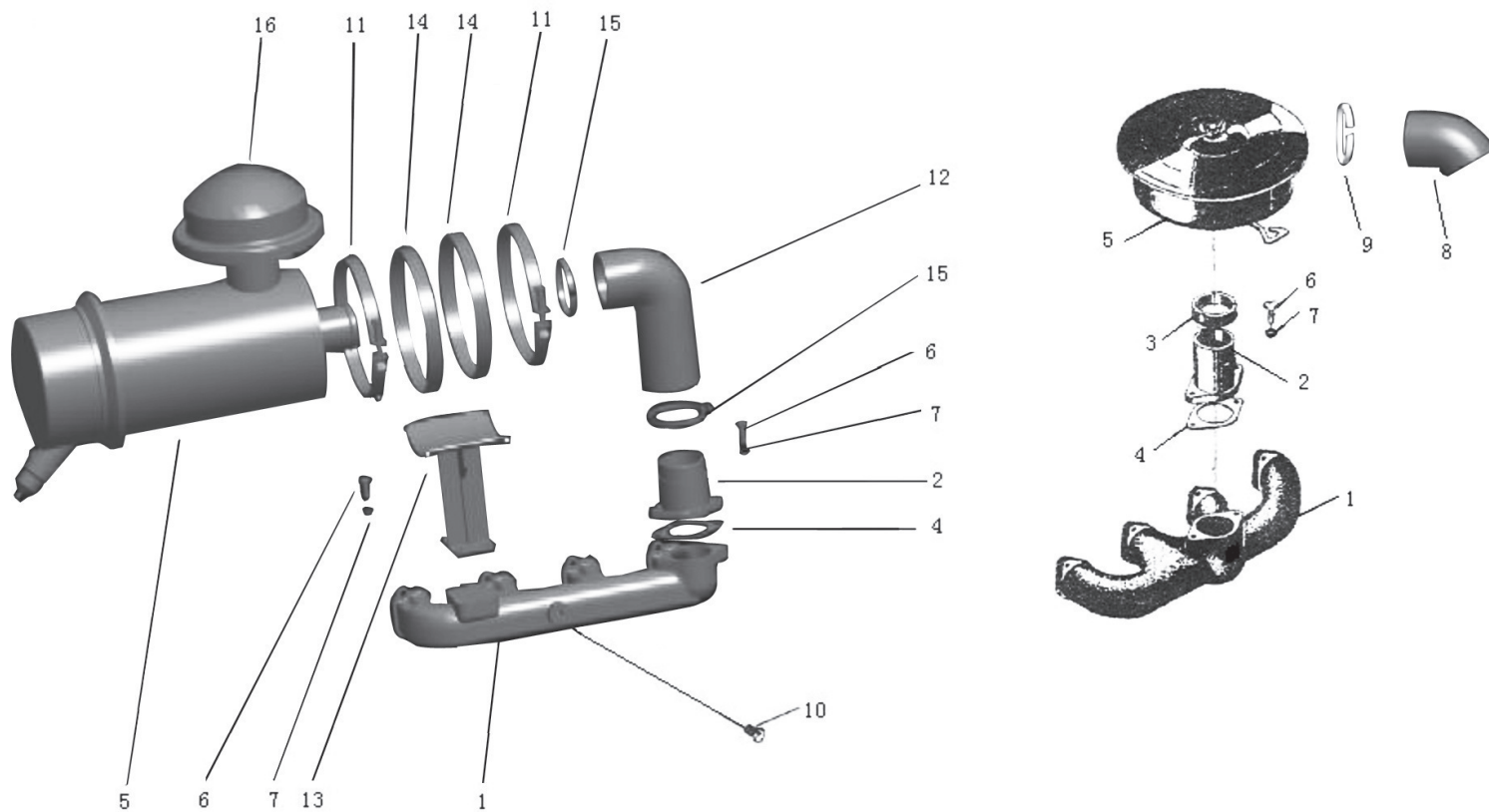


图 8 进气系统总成

FIG.8 AIR INTAKE SYSTEM ASSEMBLY

进气系统总成 AIR INTAKE SYSTEM ASSEMBLY

柴油机型号 Model				ZHAP					ZHBP1						
供货号 Delivery No.		495P	ZH4100P	ZH4100P5	P10	P10-1	P10-2	P10-3	P10-4	P10	P10-1	P10-2	P10-3	P10-4	P11
序号 Item	零件代号 Part No.	零件名称 Description		每台数量 Q'ty per set											
1	495-07001	进气管	Air intake manifold	1											
	ZH4100-07001	进气管	Air intake manifold		1	1									
	ZH4100K42-07001-1	进气管	Air intake manifold				1	1	1	1	1	1	1	1	1
2	495-07010(B)	进气管接头		1											
	ZH4100-07002	进气接管			1	1	1	1	1	1	1	1	1	1	1
3	495-07003	进气管衬套	Sleeve	1											
	4RD210022	空滤接管衬套	sleeve		1	1	1	1	1	1	1	1	1	1	1
4	495-07002	进气接管垫片	Gasket, air intake connecting pipe	1											
	495Q5-07083	进气接管垫片	Gasket, air intake connecting pipe		1	1	1	1	1	1	1	1	1	1	1

柴油机型号 Model				495P	ZH4100P	ZH4100P5	ZHAP					ZHBP1					
供货号 Delivery No.							P10	P10-1	P10-2	P10-3	P10-4	P10	P10-1	P10-2	P10-3	P10-4	P11
序号 Item	零件代号 Part No.	零件名称 Description		每台数量 Q'ty per set													
5	K2007-0000	K2007 空气滤清器 部件	Air cleaner subassembly	1													
	495Z-07100	K2410 空气滤清器 部件	Air cleaner subassembly		1	1	1	1	1		1	1	1	1		1	1
	ZH4100G2- 5D-07120	空气滤清器	Air cleaner subassembly							1					1		
6	M8 × 25GB5783	六角头螺栓	Hex bolt	2	2	2	2	2	2	6	2	2	2	2	6	2	2
7	8GB93	弹簧垫圈	Spring washer	2	2	2	2	2	2	6	2	2	2	2	6	2	2
8	495Z-07102	防雨胶管	Rubber hose		1	1	1	1	1		1	1	1	1		1	1
9	夹箍 B76- 92GB566	夹箍 B76-92	Clamp		1	1	1	1	1		1	1	1	1		1	1
10	R010209	方槽锥形螺塞	Conic plug				1	1	1	1	1	1	1	1	1	1	1
11	6R1Q210500	空滤卡箍部件	Air cleaner clamp subassembly							2					2		
12	ZH4100G2- 5D-07072	进气胶管	Air inlet hose							1					1		

柴油机型号 Model		495P	ZH4100P	ZH4100P5	ZHAP					ZHBP1								
供货号 Delivery No.					P10	P10-1	P10-2	P10-3	P10-4	P10	P10-1	P10-2	P10-3	P10-4	P11			
序号 Item	零件代号 Part No.	零件名称 Description		每台数量 Q'ty per set														
13	ZH4100G2-5D-07100	空滤支架焊合件	Air cleaner bracket welding part						1							1		
14	ZH4100K42-07002	空滤垫片	Gasket, air cleaner clamp						2							2		
15	6R210300	胶管卡箍	Hose clamp						2							2		
16	ZH4100G1-8B-07110	空气预滤器	Air pre-cleaner subassembly						1							1		

八、排气系统总成 (图9)
EXHAUST SYSTEM ASSEMBLY (FIG.9)

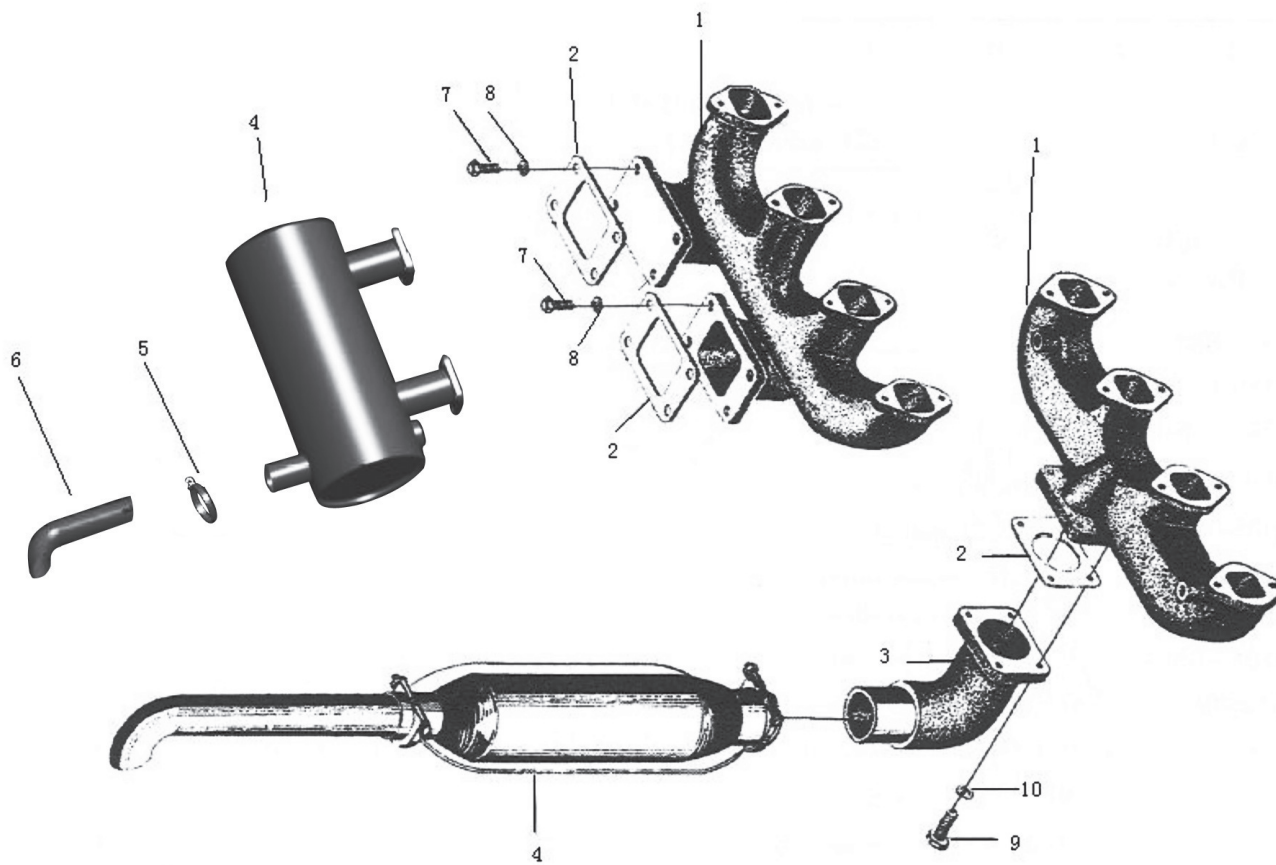


图9 排气系统总成
FIG.9 EXHAUST SYSTEM ASSEMBLY

排气系统总成 EXHAUST SYSTEM ASSEMBLY

柴油机型号 Model							ZHAP					ZHBP1				
供货号 Delivery No.		495P	ZH4100P	ZH4100P5	P10	P10-1	P10-2	P10-3	P10-4	P10	P10-1	P10-2	P10-3	P10-4	P11	
序号 Item	零件代号 Part No.	零件名称 Description		每台数量 Q'ty per set												
1	495-08001W	排气管	Exhaust manifold	1	1	1										
	ZH4102P6-08011	排气管	Exhaust manifold				1	1	1	1	1	1	1	1	1	1
2	495-08003	排气弯管垫片	Gasket, exhaust elbow	1	1	1										
	4R1T19-1230003	排气接管垫片	Gasket, exhaust elbow				2	2	2	2	2	2	2	2	2	2
3	495-08002	排气弯管	Exhaust elbow	1	1	1										
4	495-08100	消声器部件	Silencer subassembly	1	1	1										
	4R5L240100	消声器部件	Silencer subassembly				1	1	1	1	1	1	1	1	1	1
5	495-08200	φ51 管抱箍	Clamp				1	1	1	1	1	1	1	1	1	1
6	ZH4102P3-08110	尾管部件	Tail pipe subassembly				1	1	1		1	1	1		1	1
	4R5L240101	消声器尾管	Tail pipe subassembly											1		

柴油机型号 Model						ZHAP					ZHBP1								
供货号 Delivery No.		495P		ZH4100P		ZH4100P5		P10	P10-1	P10-2	P10-3	P10-4	P10	P10-1	P10-2	P10-3	P10-4	P11	
序号 Item	零件代号 Part No.	零件名称 Description		每台数量 Q'ty per set															
7	M10× 25GB5783	全螺纹六角头螺栓	Full thread hex bolt					8	8	8	8	8	8	8	8	8	8	8	8
8	10GB93	弹簧垫圈	Spring washer					8	8	8	8	8	8	8	8	8	8	8	8
9	M8×25GB5783	全螺纹六角头螺栓	Full thread hex bolt	4	4	4													
10	8GB93	弹簧垫圈	Spring washer	4	4	4													

九、润滑系统总成 (图 10)

LUBRICATING OIL SYSTEM ASSEMBLY (FIG.10)

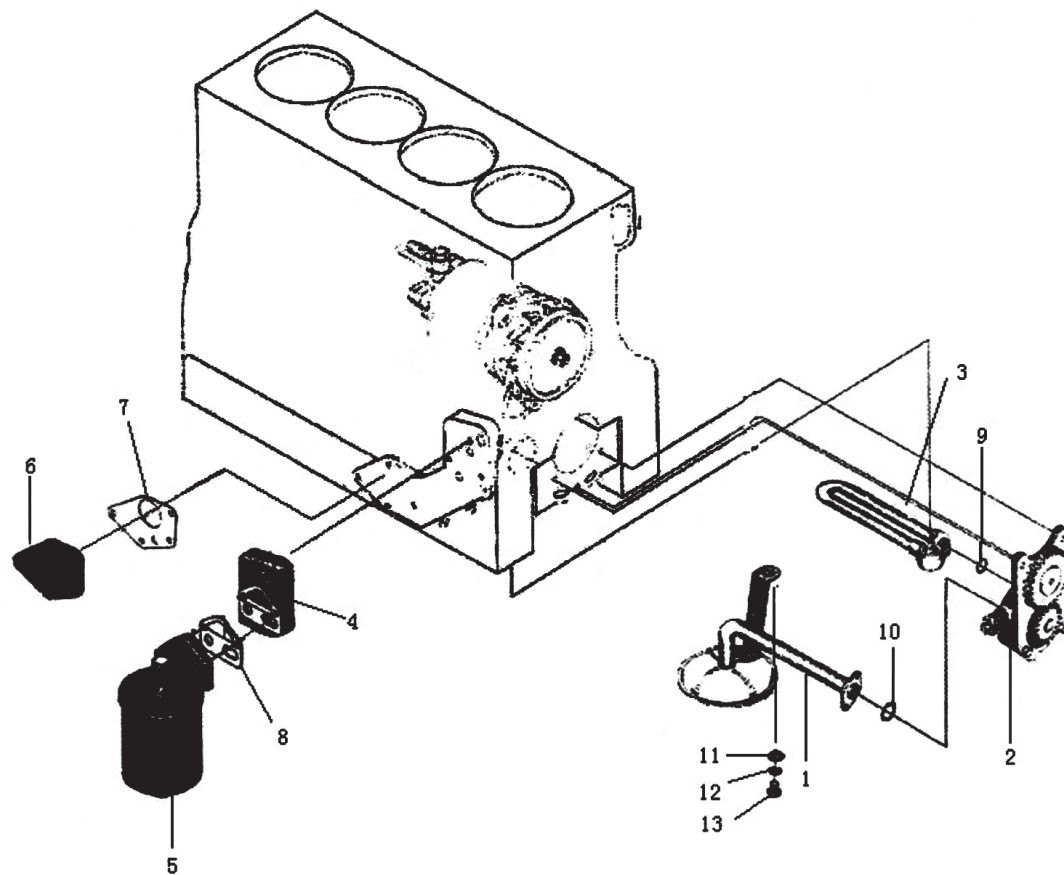


图 10 润滑系统总成

FIG.10 LUBRICATING OIL SYSTEM ASSEMBLY

润滑系统总成 LUBRICATING OIL SYSTEM ASSEMBLY

柴油机型号 Model		495P	ZH4100P	ZH4100P5	ZHAP					ZHBP1								
供货号 Delivery No.					P10	P10-1	P10-2	P10-3	P10-4	P10	P10-1	P10-2	P10-3	P10-4	P11			
序号 Item	零件代号 Part No.	零件名称 Description	每台数量 Q'ty per set															
1	K4100ZD1-09910-1	吸油管焊接件	Oil suction pipe subassembly	1	1	1	1	1	1	1	1	1	1	1	1	1	1	1
2	495-09300-A	机油泵部件	Oil pump subassembly	1	1	1	1	1	1	1	1	1	1	1	1	1	1	1
3	495G-09400	输油管部件 (焊合件)	Oil pipe subassembly	1	1	1	1	1	1	1	1	1	1	1	1	1	1	1
4	495-09501-1	机滤连接板	Oil filter connecting plate	1	1	1	1	1	1	1	1	1	1	1	1	1	1	1
5	JXZ0810	机油滤清器	Oil filter subassembly	1	1	1	1	1	1	1	1	1	1	1	1	1	1	1
6	495-09003W	离心机滤盖板	Cover	1	1	1	1	1	1	1	1	1	1	1	1	1	1	1
7	495-09002	分流离心式机滤器 垫片	Gasket	1	1	1	1	1	1	1	1	1	1	1	1	1	1	1
8	495-09001W	机滤器垫片	Oil filter gasket	1	1	1	1	1	1	1	1	1	1	1	1	1	1	1

柴油机型号 Model				495P			ZH4100P			ZH4100P5			ZHAP				ZHBP1							
供货号 Delivery No.													P10	P10-1	P10-2	P10-3	P10-4	P10	P10-1	P10-2	P10-3	P10-4	P11	
序号 Item	零件代号 Part No.	零件名称 Description		每台数量 Q'ty per set																				
9	14×2.65GB/ T3425.1-2005	O形橡胶密封圈	“O” seal ring	1	1	1	1	1	1	1	1	1	1	1	1	1	1	1	1	1	1	1	1	1
10	18×2.65GB/ T3452.1-2005	O形橡胶密封圈	“O” seal ring	1	1	1	1	1	1	1	1	1	1	1	1	1	1	1	1	1	1	1	1	1
11	495-01054	垫片	Washer	1	1	1	1	1	1	1	1	1	1	1	1	1	1	1	1	1	1	1	1	1
12	8GB93	弹簧垫圈	Spring washer	1	1	1	1	1	1	1	1	1	1	1	1	1	1	1	1	1	1	1	1	1
13	M8×16GB5783	全螺纹六角头螺栓	Full thread hex bolt	1	1	1	1	1	1	1	1	1	1	1	1	1	1	1	1	1	1	1	1	1

十、电器系统总成 (图 11)

ELECTRICAL SYSTEM ASSEMBLY (FIG.11)

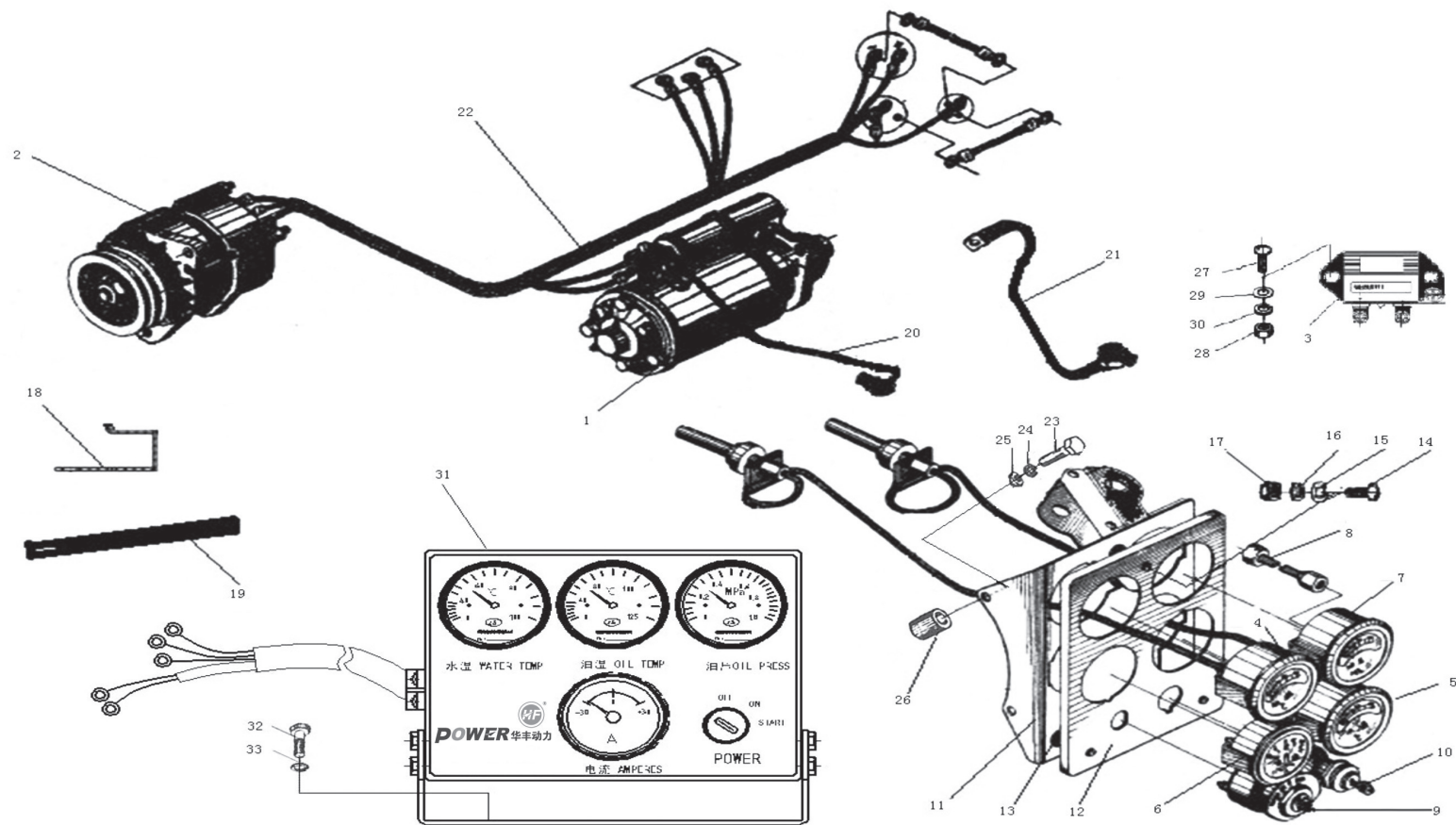


图 11 电器系统总成

FIG.11 ELECTRICAL SYSTEM ASSEMBLY

电器系统总成 ELECTRICAL SYSTEM ASSEMBLY

柴油机型号 Model				495P	ZH4100P	ZH4100P5	ZHAP					ZHBP1					
供货号 Delivery No.							P10	P10-1	P10-2	P10-3	P10-4	P10	P10-1	P10-2	P10-3	P10-4	P11
序号 Item	零件代号 Part No.	零件名称 Description		每台数量 Q'ty per set													
1	495-12100(b)(B)	起动电机	Starter motor	1	1						1					1	
	495K1-12100	起动电机	Starter motor			1	1	1	1	1		1	1	1	1		1
2	495-12400	硅整流发电机	Charging alternator	1	1						1					1	
	495K1-12400	硅整流发电机	Charging alternator			1	1	1	1	1		1	1	1	1		1
3	495-12300	电压调节器	Voltage regulator	1	1												
	495K1-12300	电压调节器	Voltage regulator			1											
4	495G-12610	水温表	Water temperature gauge	1	1	1											
5	495G-12620	油温表	Oil temperature gauge	1	1	1											
6	495G-12630	电流表	Ammeter	1	1	1											
7	495-12641	机油压力表	Oil pressure gauge	1	1	1											

柴油机型号 Model		495P	ZH4100P	ZH4100P5	ZHAP					ZHBP1							
供货号 Delivery No.					P10	P10-1	P10-2	P10-3	P10-4	P10	P10-1	P10-2	P10-3	P10-4	P11		
序号 Item	零件代号 Part No.	零件名称 Description		每台数量 Q'ty per set													
8	495G-12670	压力表管组件	Pipe, oil pressure gauge	1	1	1											
9	495G-12650-1	起动开关	Starting switch	1	1	1											
10	495G-12660	电路钥匙开关	Key switch	1	1	1											
11	495G-12710	仪表盘架焊合件	Gauge panel bracket	1	1	1											
12	495G-12701	仪表盘	Gauge panel subassembly	1	1	1											
13	495G-12720	减震器组件	AVM pad	3	3	3											
14	M4 × 9GB67-Zn.D	开槽盘头螺钉	Slotted pan head screw	3	3	3											
15	4GB93	弹簧垫圈	Spring washer	6	6	6											
16	4GB97.1-140HV-ZnD	平垫圈	Small washer	6	6	6											

柴油机型号 Model				495P	ZH4100P	ZH4100P5	ZHAP					ZHBP1					
供货号 Delivery No.							P10	P10-1	P10-2	P10-3	P10-4	P10	P10-1	P10-2	P10-3	P10-4	P11
序号 Item	零件代号 Part No.	零件名称 Description		每台数量 Q'ty per set													
17	M4GB6170-8-HY	六角螺母	Hex nut	3	3	3											
18	4R3D650001	电线套管夹子	Clamp, wire harness sleeve	2	2	2											
	4102D-12801-1	电线套管夹子	Clamp, wire harness sleeve				3	3	3	3	3	3	3	3	3	3	3
19	4R3D650200	电线套管部件	Wire harness sleeve subassembly	1	1	1											
20	495G-12810	起动机线连接头	Battery cable	1	1	1	1	1	1	1	1	1	1	1	1	1	1
	ZH4102P11-12830	蓄电池连接线连接头	Battery cable														1
	ZH4102P11-12840	起动机线连接头	Battery cable														1
21	495G-12820	搭铁线连接头	Battery ground cable	1	1	1	1	1	1	1	1	1	1	1	1	1	1

柴油机型号 Model				495P	ZH4100P	ZH4100P5	ZHAP					ZHBP1					
供货号 Delivery No.							P10	P10-1	P10-2	P10-3	P10-4	P10	P10-1	P10-2	P10-3	P10-4	P11
序号 Item	零件代号 Part No.	零件名称 Description		每台数量 Q'ty per set													
22	4R1650100-JH	4R 电线束结合件	4R wire harness	1	1												
	ZH4102P4-12830-JH	电线束结合件	Wire harness			1											
23	M8 × 35GB5783	全螺纹六角头螺栓	Full thread hex bolt	2	2	2											
24	8GB93	弹簧垫圈	Spring washer	2	2	2	4	4	4	4	4	4	4	4	4	4	4
25	8GB97.1-140HV-Zn.D	平垫圈	Small washer	2	2	2											
26	495G-12702	套	Spacer	2	2	2											
27	M6 × 8GB67-Zn.D	开槽盘头螺钉	Slotted pan head screw	2	2	2											
28	M6GB6170-8-HY	六角螺母	Hex nut	2	2	2											
29	6GB93	弹簧垫圈	Spring washer	2	2	2											

柴油机型号 Model		495P	ZH4100P	ZH4100P5	ZHAP					ZHBP1							
供货号 Delivery No.					P10	P10-1	P10-2	P10-3	P10-4	P10	P10-1	P10-2	P10-3	P10-4	P11		
序号 Item	零件代号 Part No.	零件名称 Description		每台数量 Q'ty per set													
30	6GB97.1-140HV-Zn.D	平垫圈	Small washer	2	2	2											
31	ZH4102P4-12700-1	仪表盘总成	Gauge panel assembly				1	1	1				1	1			
	ZH4102P4-12700-2	仪表盘总成	Gauge panel assembly							1	1	1			1	1	1
32	M8 × 20GB5783	全螺纹六角头螺栓	Full thread hex bolt				4	4	4	4	4	4	4	4	4	4	4
33	8GB848-140HV-Zn.D	小垫圈	Small washer				4	4	4	4	4	4	4	4	4	4	4

十一、燃油系统总成、喷油泵总成、喷油器总成（图 12）

FUEL SYSTEM ASSEMBLY、FUFL INJECTION PUMP ASSEMBLY、FUEL INJECTOR ASSEMBLY（FIG.12）

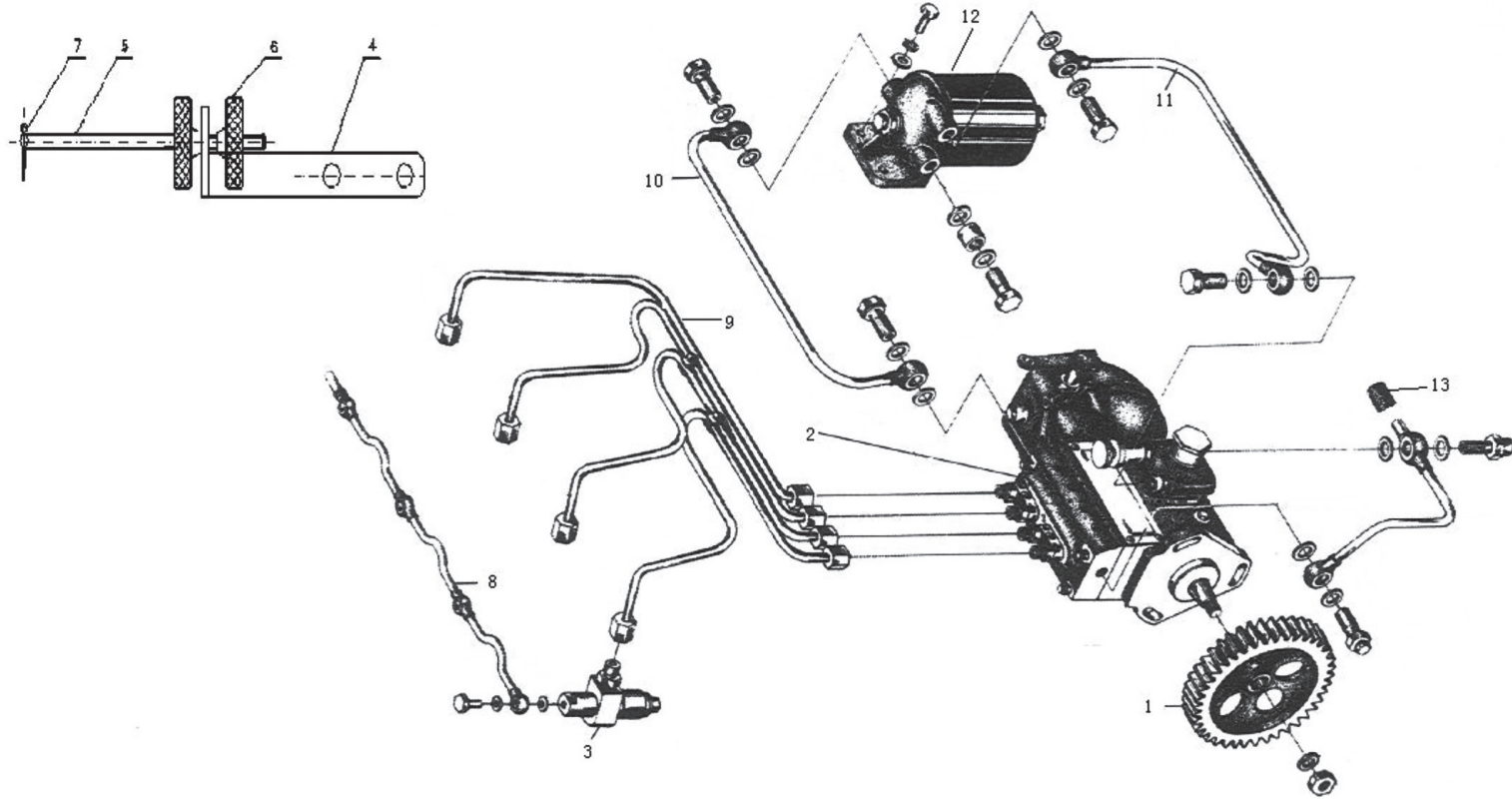


图 12 燃油系统总成、喷油泵总成、喷油器总成

FIG.12 FUEL SYSTEM ASSEMBLY、FUFL INJECTION PUMP ASSEMBLY、FUEL INJECTOR ASSEMBLY

燃油系统总成、喷油泵总成、喷油器总成

FUEL SYSTEM ASSEMBLY、FUFL INJECTION PUMP ASSEMBLY、FUEL INJECTOR ASSEMBLY

柴油机型号 Model		495P	ZH4100P	ZH4100P5	ZHAP					ZHBP1							
					P10	P10-1	P10-2	P10-3	P10-4	P10	P10-1	P10-2	P10-3	P10-4	P11		
供货号 Delivery No.																	
序号 Item	零件代号 Part No.	零件名称 Description		每台数量 Q'ty per set													
1	495-13001	喷油泵齿轮	Gear,fuel injection pump	1	1	1	1	1	1	1	1	1	1	1	1	1	1
2	495-13100	喷油泵部件	Fuel injection pump subassembly	1													
	ZH4100P-13100	喷油泵部件	Fuel injection pump subassembly		1	1	1	1	1	1							
	ZH4102P1-13100	喷油泵部件	Fuel injection pump subassembly								1	1	1	1	1	1	1
3	495-14000	喷油器总成	Injector assembly	1													
	ZH4100-14000	喷油器总成	Injector assembly		1	1	1	1	1	1	1	1	1	1	1	1	1
4	ZH4102P3-24300	油门拉架	Governing plate								1	1	1	1	1	1	1
	495D-24301-A	调速板	Governing plate	1	1	1	1	1	1	1							

柴油机型号 Model					ZHAP					ZHBP1						
供货号 Delivery No.		495P	ZH4100P	ZH4100P5	P10	P10-1	P10-2	P10-3	P10-4	P10	P10-1	P10-2	P10-3	P10-4	P11	
序号 Item	零件代号 Part No.	零件名称 Description		每台数量 Q'ty per set												
5	6RD370009-A	调节杆	Throttle control rod								1	1	1	1	1	1
	495D-24306-A	调节杆	Throttle control rod	1	1	1	1	1	1	1						
6	RD370007	手轮	Hand wheel	2	2	2	2	2	2	2	2	2	2	2	2	2
7	1.6X12GB91 -Zn.D	开口销	Split pin	1	1	1	1	1	1	1	1	1	1	1	1	1
8	495-10200(D)	回油管组件	Fuel return pipe, injector	1	1	1										
	495-10200(D)-1	回油管组件	Fuel return pipe, injector				1	1	1		1					
	495-10200(B)-1	回油管组件	Fuel return pipe, injector								1	1	1	1	1	
	495-10200(A)-1	回油管组件	Fuel return pipe, injector													1
	495-10200(C)-1	回油管组件	Fuel return pipe, injector							1						

柴油机型号 Model				495P	ZH4100P	ZH4100P5	ZHAP					ZHBP1					
供货号 Delivery No.							P10	P10-1	P10-2	P10-3	P10-4	P10	P10-1	P10-2	P10-3	P10-4	P11
序号 Item	零件代号 Part No.	零件名称 Description		每台数量 Q'ty per set													
9	495-10100-1	高压油管部件	High pressure pipe subassembly	1													
	ZH4100-10100-1	高压油管部件	High pressure pipe subassembly		1	1											
	ZH4102G44-10100-1	高压油管部件	High pressure pipe subassembly				1	1	1	1	1	1	1	1	1	1	1
10	495-10320W-1	喷油泵进油管部件	Fuel inlet pipe subassembly, fuel injection pump	1	1	1	1	1	1	1							
	495BQ-10320-1	喷油泵进油管部件	Fuel inlet pipe subassembly, fuel injection pump								1	1	1	1	1	1	1
11	495-10310W-1	滤清器进油管组件	Fuel inlet pipe subassembly, fuel filter	1	1	1	1	1	1	1							
	495-10310W-1	滤清器进油管组件	Fuel inlet pipe subassembly, fuel filter								1	1	1	1	1	1	1
12	CXZ0708A-1	柴油滤清器	Fuel filter subassembly	1	1	1											
	CXZ0708A-6	柴油滤清器	Fuel filter subassembly				1	1	1	1	1	1	1	1	1	1	1
13	4R5L310104	油堵	Plug	1	1	1	1	1	1	1							1
	495-10632	油堵	Plug								1	1	1	1	1		

十二、离合器动力输出装置总成 (图 13)

CLUTCH AND POWER TAKE-OFF ASSEMBLY (FIG.13)

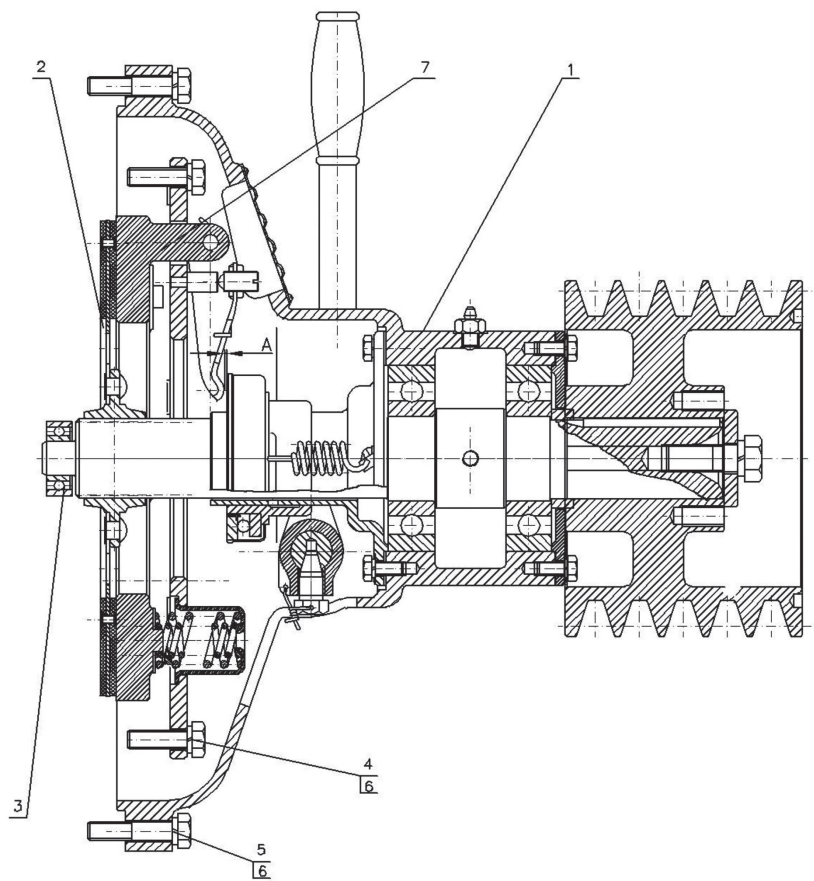


图 13 离合器总成

FIG.13 CLUTCH AND POWER TAKE-OFF ASSEMBLY

离合器总成 CLUTCH AND POWER TAKE-OFF ASSEMBLY

柴油机型号 Model		495P	ZH4100P	ZH4100P5	ZHAP					ZHBP1							
供货号 Delivery No.					P10	P10-1	P10-2	P10-3	P10-4	P10	P10-1	P10-2	P10-3	P10-4	P11		
序号 Item	零件代号 Part No.	零件名称 Description		每台数量 Q'ty per set													
1	495G-15000-JH	离合器动力输出装置总成结合件	Clutch assembly	1	1												
	ZH4100P9-15000-JH	离合器动力输出装置总成结合件	Clutch assembly				1	1	1	1	1	1	1	1	1	1	1
	ZH4100P5-15000-JH	离合器动力输出装置总成结合件	Clutch assembly			1											
2	495G-15100	从动盘部件	Driven disc subassembly	1	1	1	1	1	1	1	1	1	1	1	1	1	1
3	6204GB276	滚动轴承	Ball bearing	1	1	1	1	1	1	1	1	1	1	1	1	1	1
4	M12 × 35GB5783	全螺纹六角头螺栓	Full thread hex bolt	6	6	6	6	6	6	6	6	6	6	6	6	6	6
5	M12 × 50GB5782	六角头螺栓	Hex bolt	9	9	9	9	9	9	9	9	9	9	9	9	9	9
6	12GB859	轻型弹簧垫圈	Spring washer	15	15	15	15	15	15	15	15	15	15	15	15	15	15
7	495G-15002	压盘	Pressure plate	1	1	1	1	1	1	1	1	1	1	1	1	1	1

十三、底座总成 (图 14)

BASE FRAME ASSEMBLY (FIG.14)

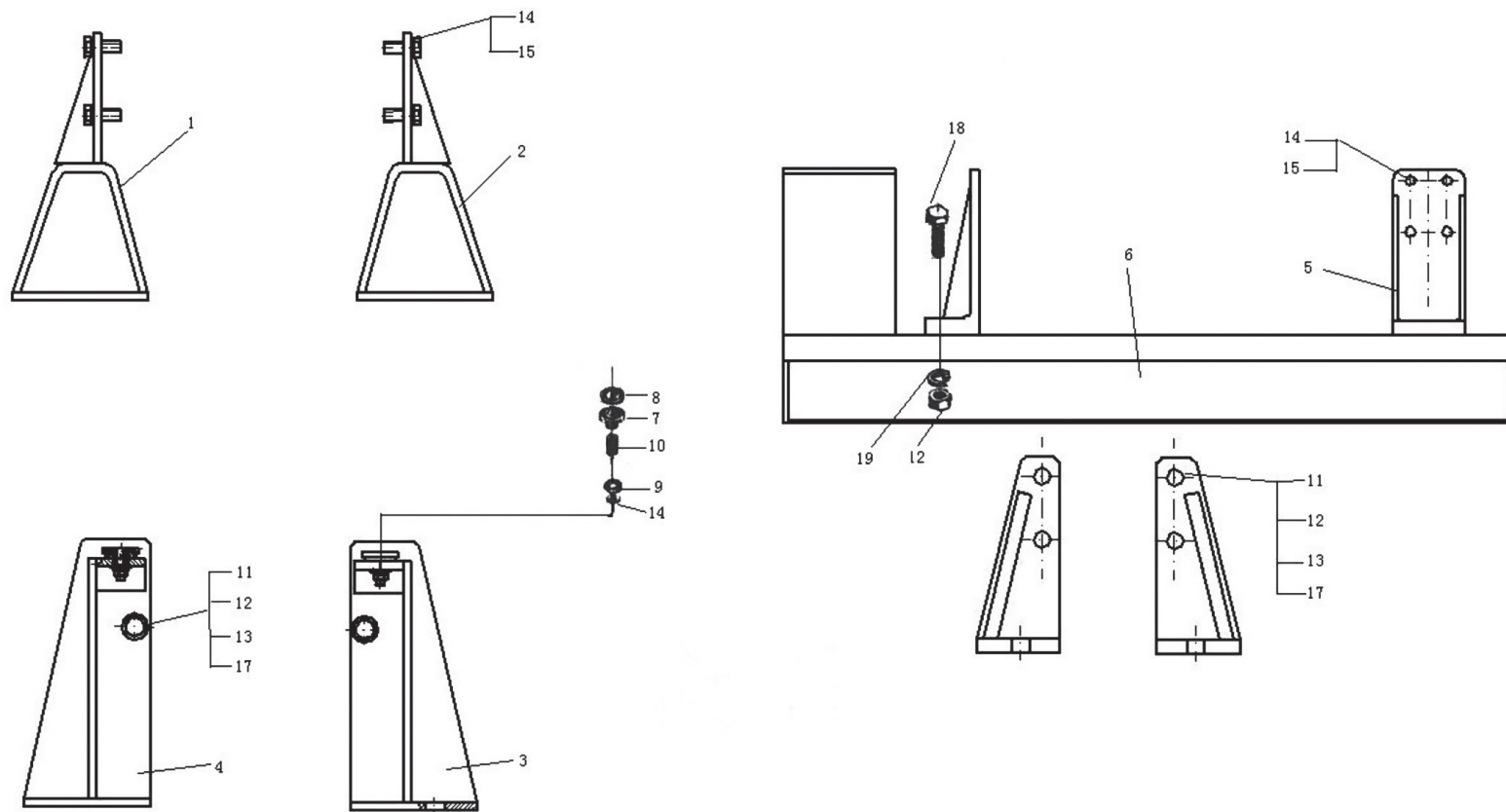


图 14 底座总成
FIG.14 BASE FRAME ASSEMBLY

底座总成 BASE FRAME ASSEMBLY

柴油机型号 Model		495P	ZH4100P	ZH4100P5	ZHAP					ZHBP1							
供货号 Delivery No.					P10	P10-1	P10-2	P10-3	P10-4	P10	P10-1	P10-2	P10-3	P10-4	P11		
序号 Item	零件代号 Part No.	零件名称 Description		每台数量 Q'ty per set													
1	495G-16103-1	495 右后支架	Right rear support	1	1	1											
	ZH4102P3-16103-1	ZH4102P3 右后支架	Right rear support				1			1	1	1			1	1	1
2	495G-16103-2	495 左后支架	Left rear support	1	1	1											
	ZH4102P3-16103-2	ZH4102P3 左后支架	Left rear support				1			1	1	1			1	1	1
3	495G-16110h	左前支架	Left front support	1	1	1											
	ZH4102P3-16101-2	ZH4102P3 左前支架	Left front support				1			1	1	1			1	1	1
	ZH4102P10-1-16001	左前支架	Left front support					1	1				1	1			
4	495G-16120h	右前支架	Right front support	1	1	1											
	ZH4102P3-16101-1	ZH4102P3 右前支架	Right front support				1			1	1	1			1	1	1
	ZH4102P10-1-16002	右前支架	Right front support					1	1				1	1			

柴油机型号 Model						ZHAP					ZHBP1						
供货号 Delivery No.						P10	P10-1	P10-2	P10-3	P10-4	P10	P10-1	P10-2	P10-3	P10-4	P11	
序号 Item	零件代号 Part No.	零件名称 Description		每台数量 Q'ty per set													
5	ZH4102P10-1-16003	后支架	Rear support				2	2				2	2				
6	ZH4100P-16200-A	底架焊合件	base frame				1	1				1	1				
7	495G-16106	水箱垫碗	Cap, rubber cushion	2	2	2											
8	495G-16107	水箱胶垫(甲)	Rubber cushion I	2	2	2											
9	495G-16108	水箱胶垫(乙)	Rubber cushion II	2	2	2											
10	495G-16109	胶垫套管	Sleeve, rubber cushion	2	2	2											
11	M16×50GB5783	全螺纹六角头螺栓	Full thread hex bolt	4	4	4											
12	M16GB6170-Zn.D	六角螺母	Hex nut	4	4	4	4	12	12	4	4	4	12	12	4	4	4
13	16GB93	弹簧垫圈	Spring washer	4	4	4	4	4	4	4	4	4	4	4	4	4	4

柴油机型号 Model				495P	ZH4100P	ZH4100P5	ZHAP					ZHBP1						
供货号 Delivery No.								P10	P10-1	P10-2	P10-3	P10-4	P10	P10-1	P10-2	P10-3	P10-4	P11
序号 Item	零件代号 Part No.	零件名称 Description		每台数量 Q'ty per set														
14	12GB859	轻型弹簧垫圈	Spring washer	8	8	8	8	8	8	8	8	8	8	8	8	8	8	8
15	M12 × 30GB5783	全螺纹六角头螺栓	Full thread hex bolt	8	8	8	8	8	8	8	8	8	8	8	8	8	8	8
16	12GB848- 140HV-Zn.D	小垫圈	Small washer	2	2	2												
17	M16 × 65GB5783	全螺纹六角头螺栓	Full thread hex bolt					4	4	4	4	4	4	4	4	4	4	4
18	M16 × 55GB5783	全螺纹六角头螺栓	Full thread hex bolt						4	4				4	4			
19	16GB95	平垫圈	Small washer						4	4				4	4			